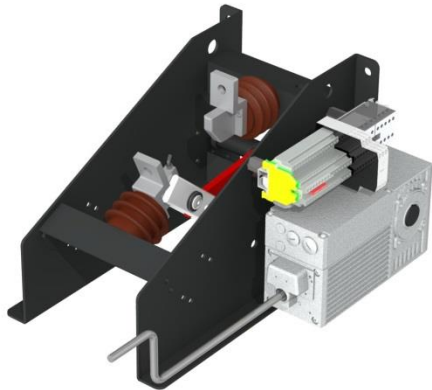


MSI-CI30XRYPPZ 12kVdc 630A with special frontal operation block



MI-COMP-CI 10kVdc 1000A with small making capacity

MAIN FEATURES

The disconnectors for power electronics often need one, or a combination of following requirements:

- Small making and/or breaking capacity
- Discharging with a resistor bypass
- Quick earthing device
- Multiple combinations possible by means of a 3-position switch
- High mechanical and electrical endurance, up to >20.000 C-O (close-open) cycles ex.g. for test equipment.
- On demand : mounting of switch possible in each or specific position

SOME ACCESSORIES (See also BR080 or contact us for more information and options)

- Standard auxiliary contacts, positively driven, IP67, other types available:
 - Heavy DC-currents
 - Very low currents (e.g. PLC-applications)
- Electro-mechanical interlock (100% ED) standard in several supply voltages:
 - 24, 110-125, 205-220 VDC and 110, 230 VAC
 - Standard execution = interlocking without voltage supply
- Standard motor drives available, type M in several supply voltages:
 - 24, 110, 125, 220 VDC
 - 230, 3x400 VAC
 - Control system standard included and mounted on the disconnector
 - Manual emergency lever included
- Special manual operating levers
- Key or padlock interlock
- Frontal operation block on customer request