



PRODUCT PORTFOLIO 2023



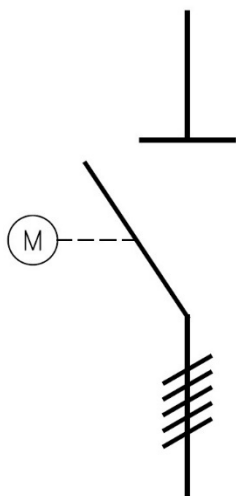
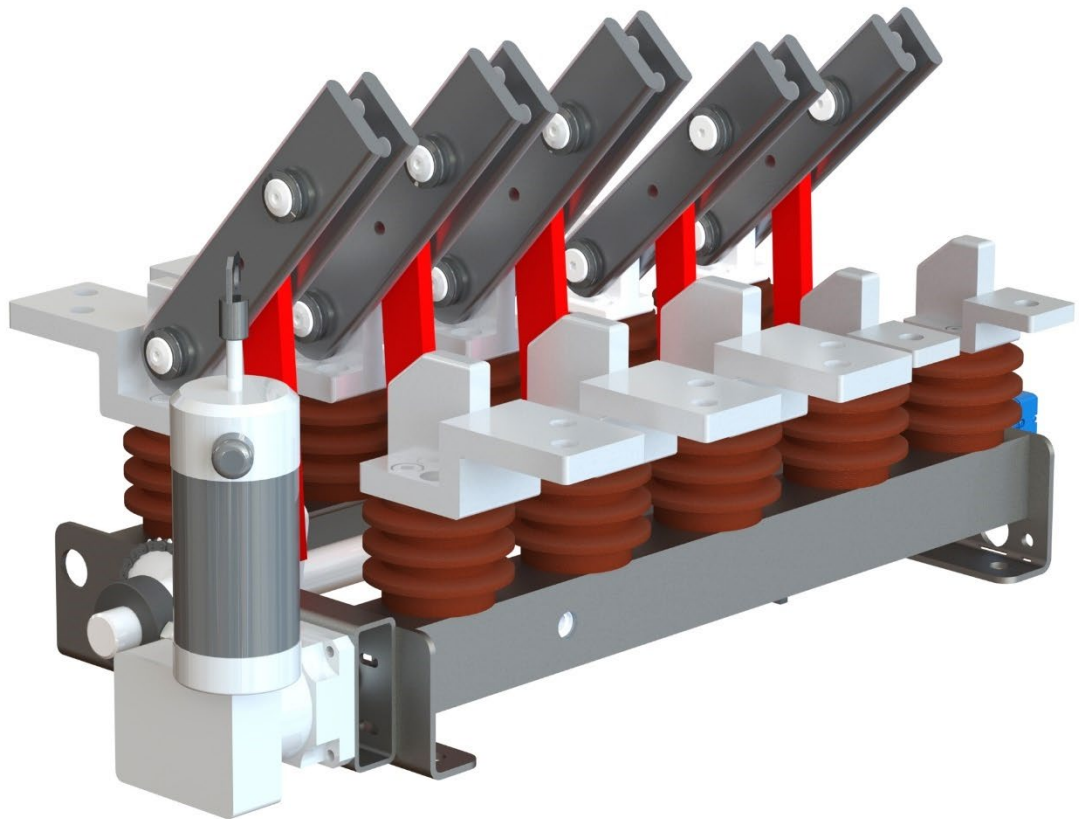
WE DESIGN YOUR DISCONNECTORS

EME designs and manufactures custom built Medium Voltage solutions from **0,7 to 72kV AC & DC** such as:

- Off-load disconnectors
- Earth switches
- On-load disconnectors
- Disconnector cubicles

all according IEC-62271, IEC-61992, EN-50123 and others on request.

I	GENERAL USE DISCONNECTORS	4
II	CHANGE OVER DISCONNECTORS	10
III	HIGH ENDURANCE DISCONNECTORS	16
IV	EARTH & DISCHARGE SWITCHES	18
V	DC-DISCONNECTORS	25
VI	SPECIAL INDOOR DISCONNECTORS	29
VII	ON-LOAD INDOOR DISCONNECTORS	36
VIII	OUTDOOR DISCONNECTORS	37
IX	IC-CUBICLES	38
X	MISSION STATEMENT EME	47



MI-COMP 3.6kV 1600A 3-pole + 1000A 2-pole

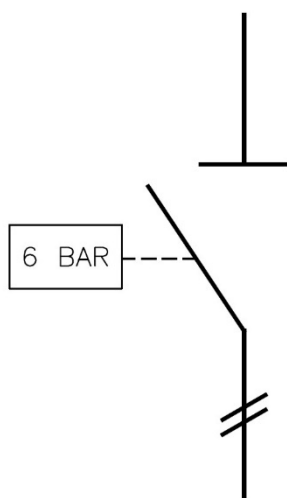
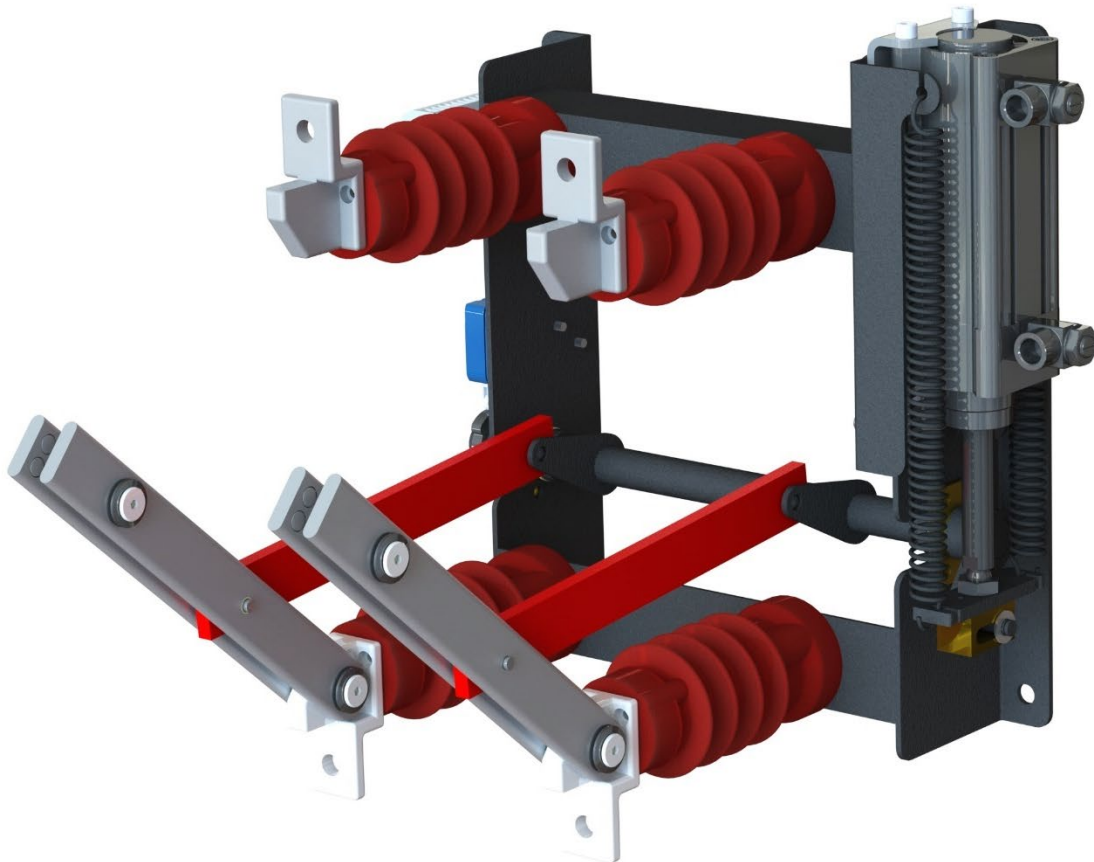
Motorised 3-pole disconnector with DC-excitation

+ Motordrive type 'D' 24Vdc

+ Auxiliary contacts IP67 – direct action

Application:

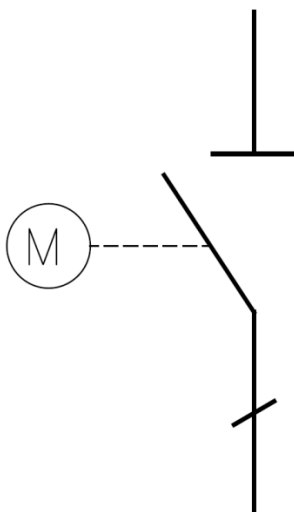
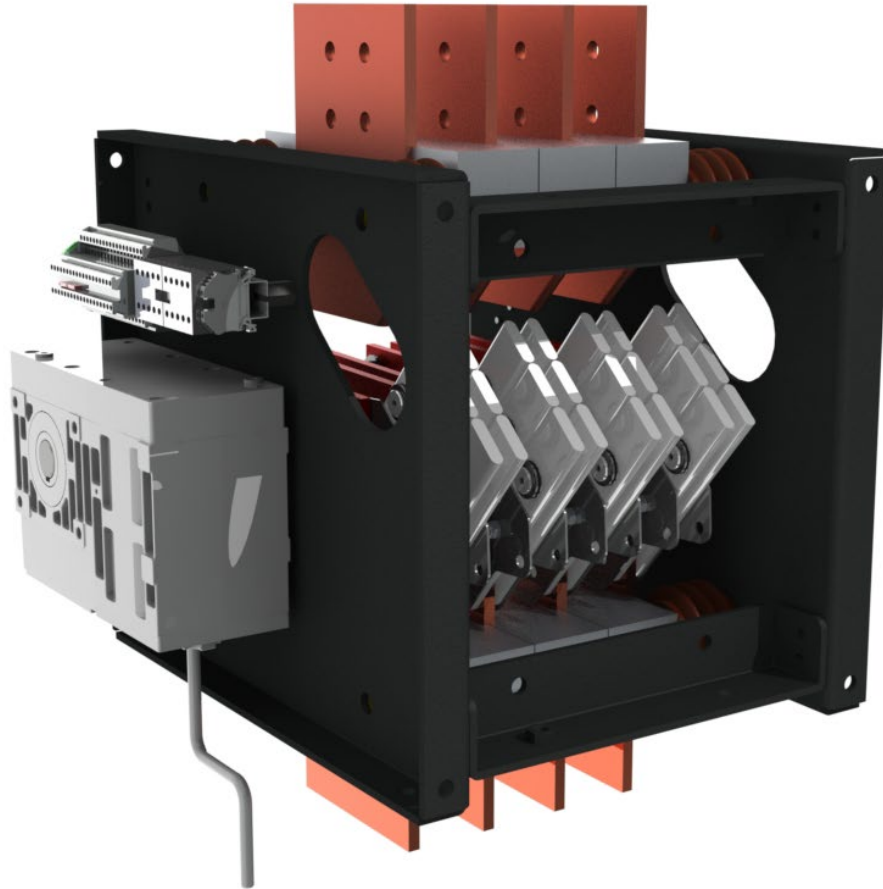
Disconnector for MV-drive



MI-COMP 17.5kV 1000A 2-pole
Pneumatic air driven disconnect

+ Springs for quick closing without presence of compressed air (<1s)

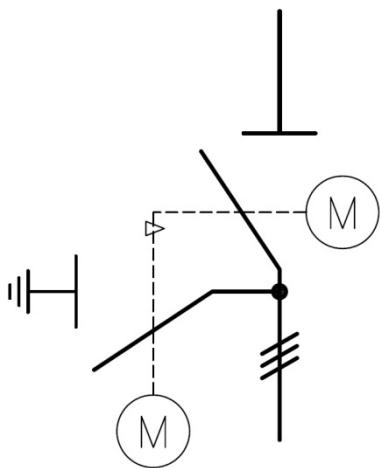
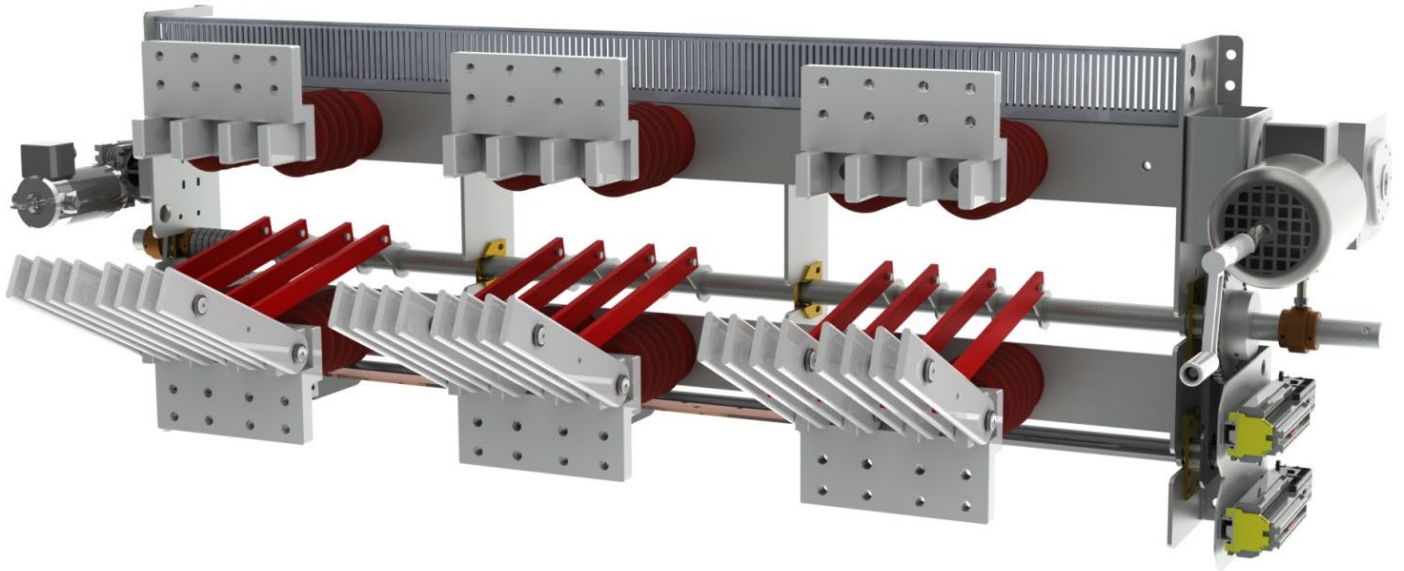
Application:
Disconnecter for power electronics applications



MVI 1kVac 12500A - 1.8kVdc 16000A 1-pole
High current disconnector

- + Motordrive type 'M' 3x400V
- + Control 24Vdc

Application:
Disconnecter for AC/DC traction applications



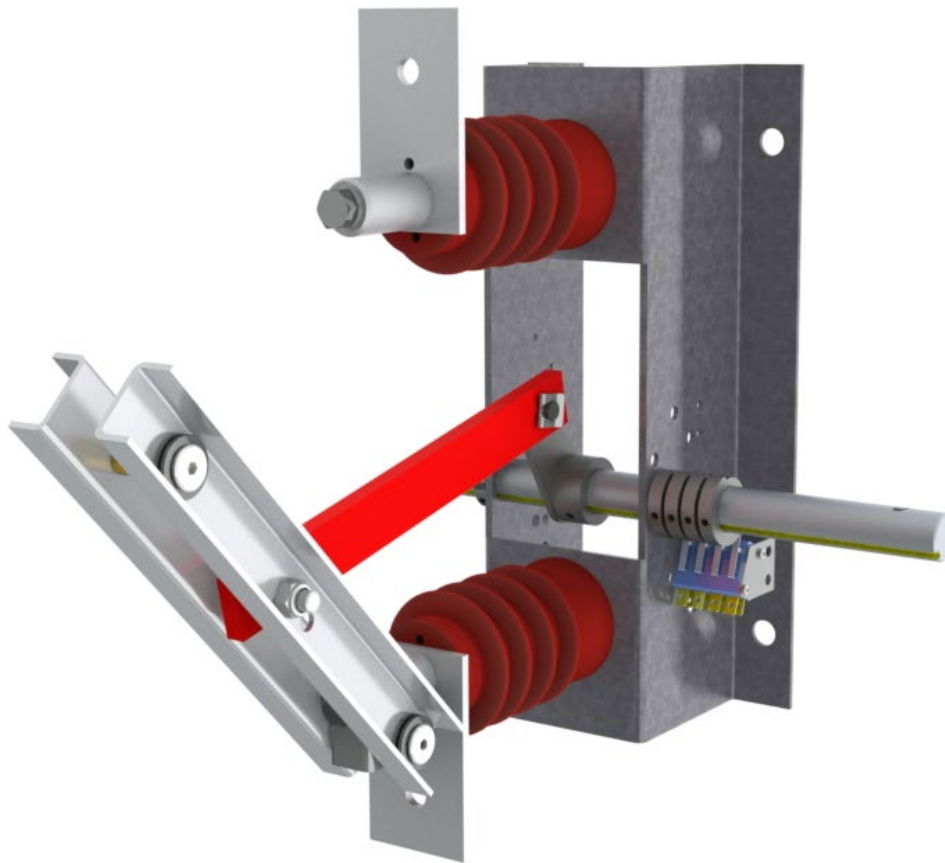
MI-COMP 17.5kV 6300A 3-pole

With interlocked earthing device 40kA/1s

- + Motordrive type 'DM' 220Vdc on main switch
- + Motordrive type 'D' 220Vdc on earthing switch

Application:

Distribution in hydro power installation



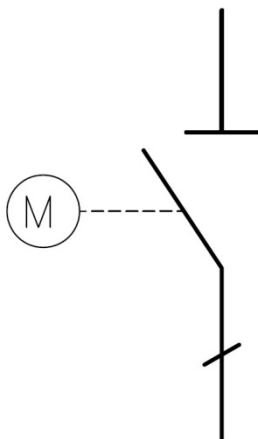
MSI-UI ECO 12kV 1250A 1-pole

Low-cost execution

+ Auxiliary contacts 4NOC

Application:

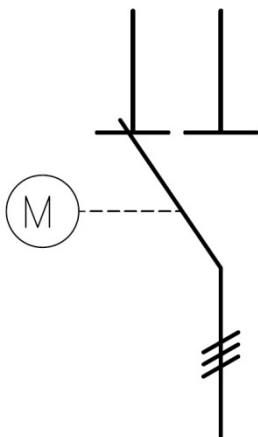
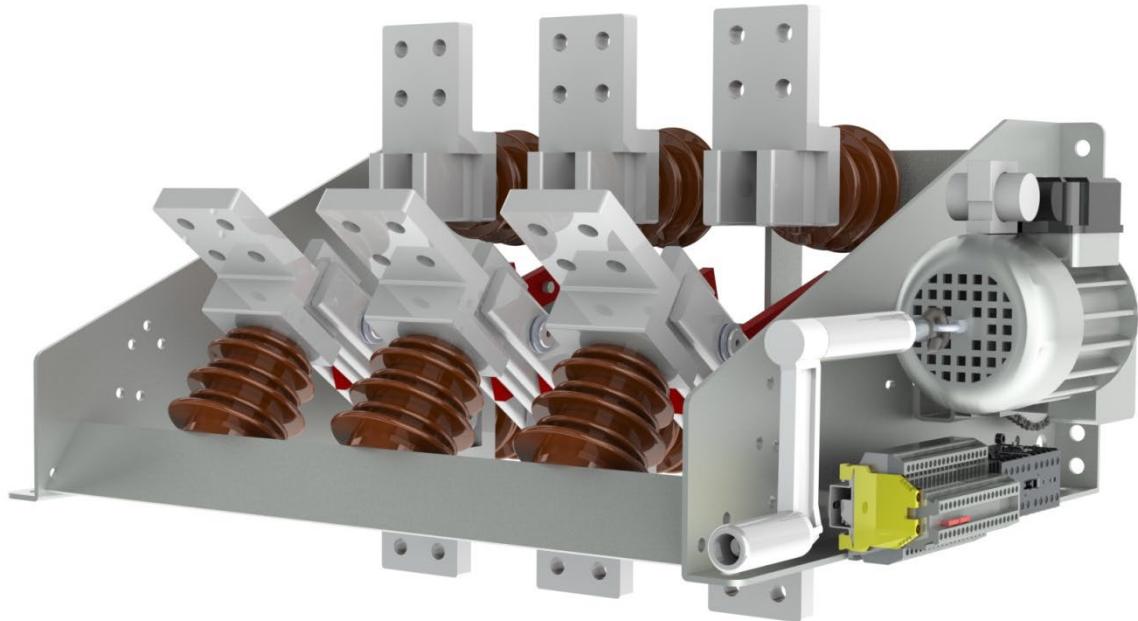
Disconnecter for MV-resistors (neutral point transformer)



MSI-UI-Light 36kV 1250A 1-pole
with increased creepage distance (31mm/kV)

- + Motordrive type 'L' with universal power supply AC/DC
- + Emergency operation lever

Application:
MV-resistors (neutral point transformer)



MI-COMP-CI 7.2kV 2500A 3-pole

2 positions: closed (= load 1) and open (= load 2)

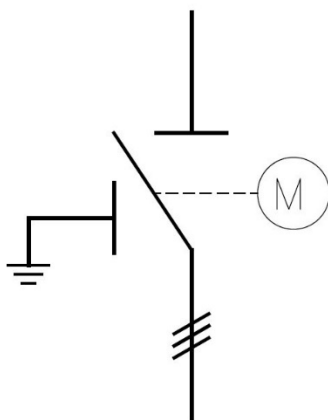
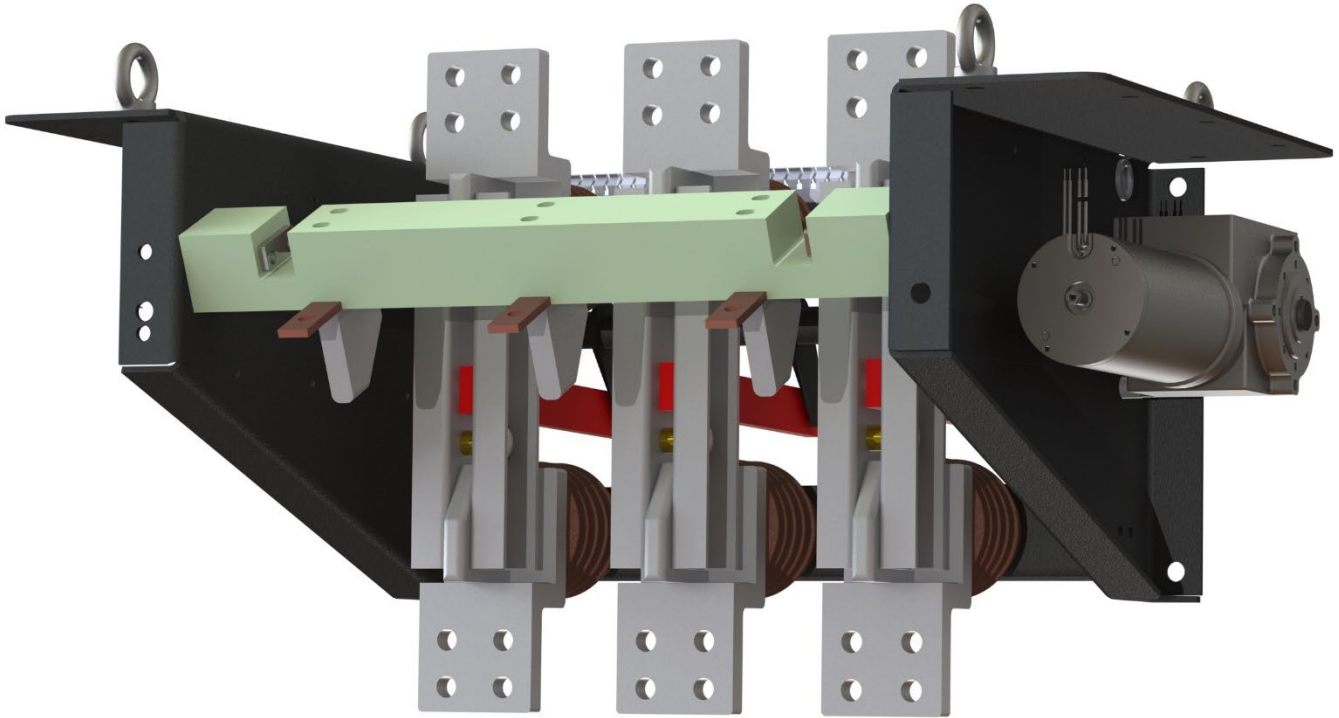
+ Motordrive type 'D' 230Vac

+ Control 24Vdc

Application:

Disconnecter for MV-drives / -cubicles

NEW



MSI-CI30YPZ 3.6kV 2000A 3-pole

3 positions: closed / open / earthed

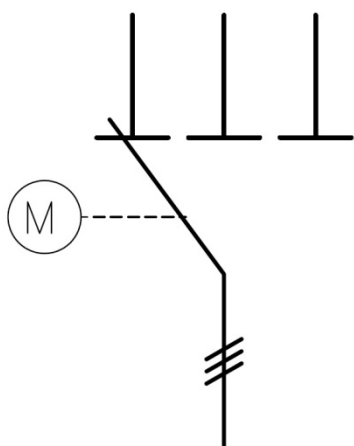
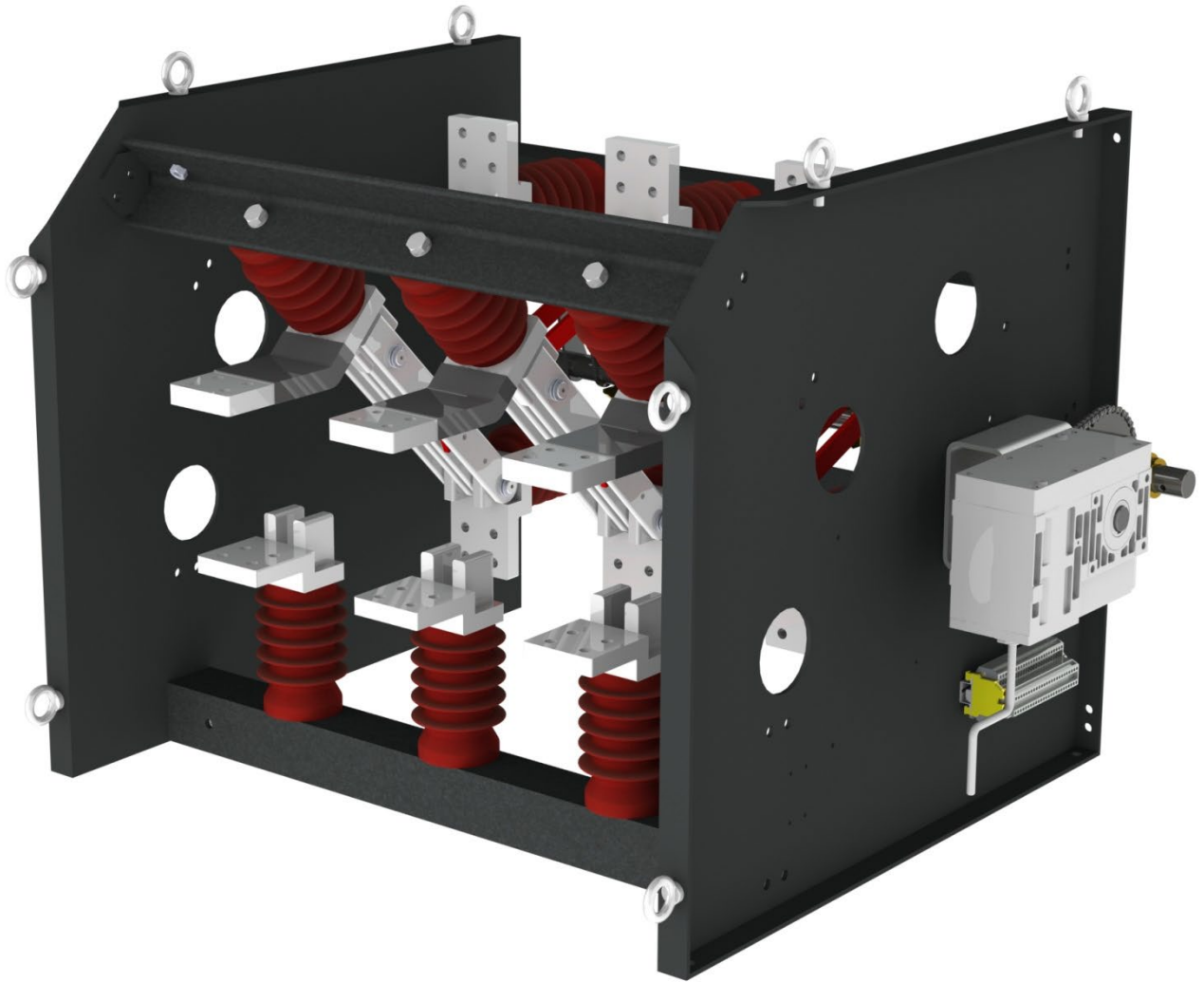
+ Motordrive type 'M' 24Vdc

+ Control 24Vdc

Application:

Disconnecter for MV-drives / -cubicles

Offshore wind application



MI-COMP-CI3 17.5kV 3000A 3-pole BIL75kV

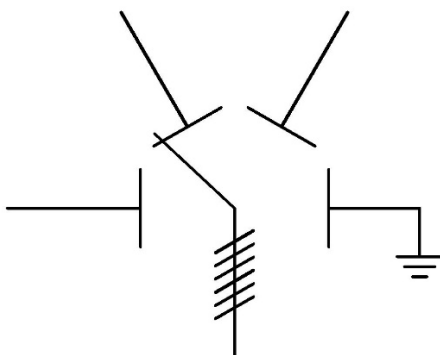
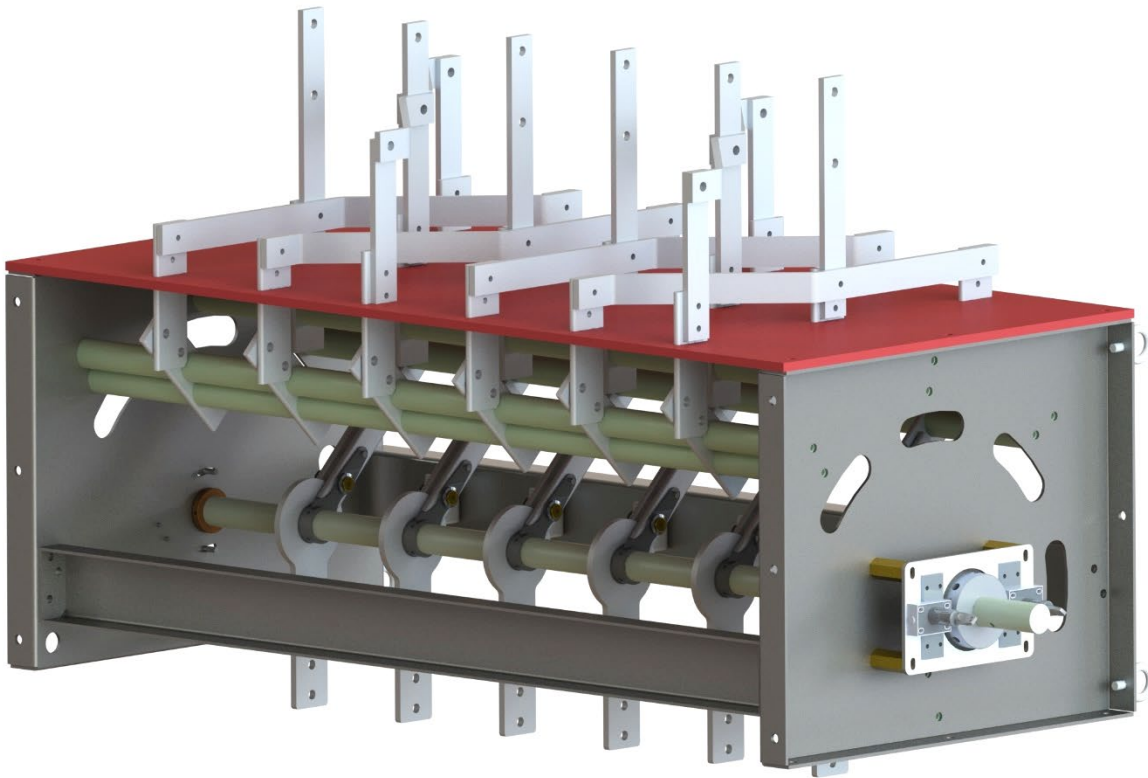
3 positions: load 1 / load 2 / load 3

+ Motordrive type 'DM' 3x400Vac

+ Optional PLC control device

Application:

Disconnector for MV-drives / -cubicles



MVI-CI4 12kV 630A 6-Pole

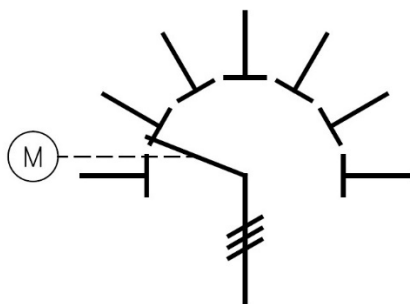
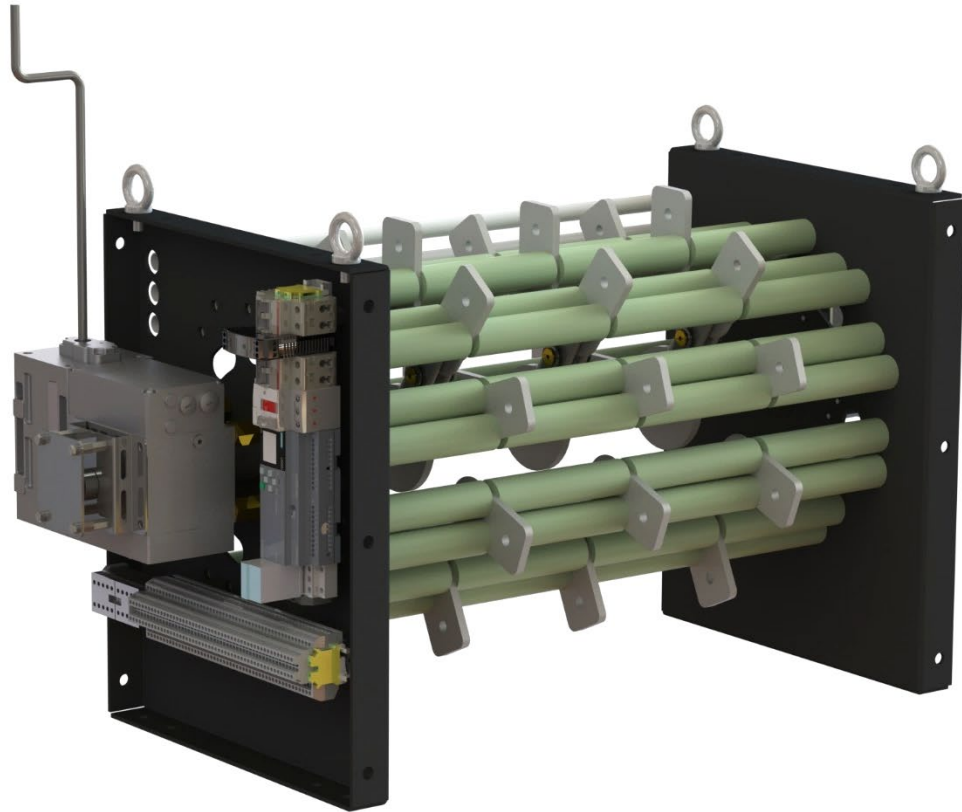
4 positions: load 1 / load 2 / load 3 / earth

+ Key interlock system for each position

+ Optional customer copper link connection

Application:

Disconnector for MV-test equipment



MVI-CI7 0.3-4.2kV 500A 3-Pole

7 position tap changer: load 1 / load 2 / ... / load 7

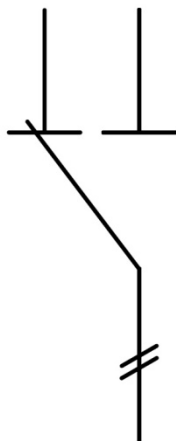
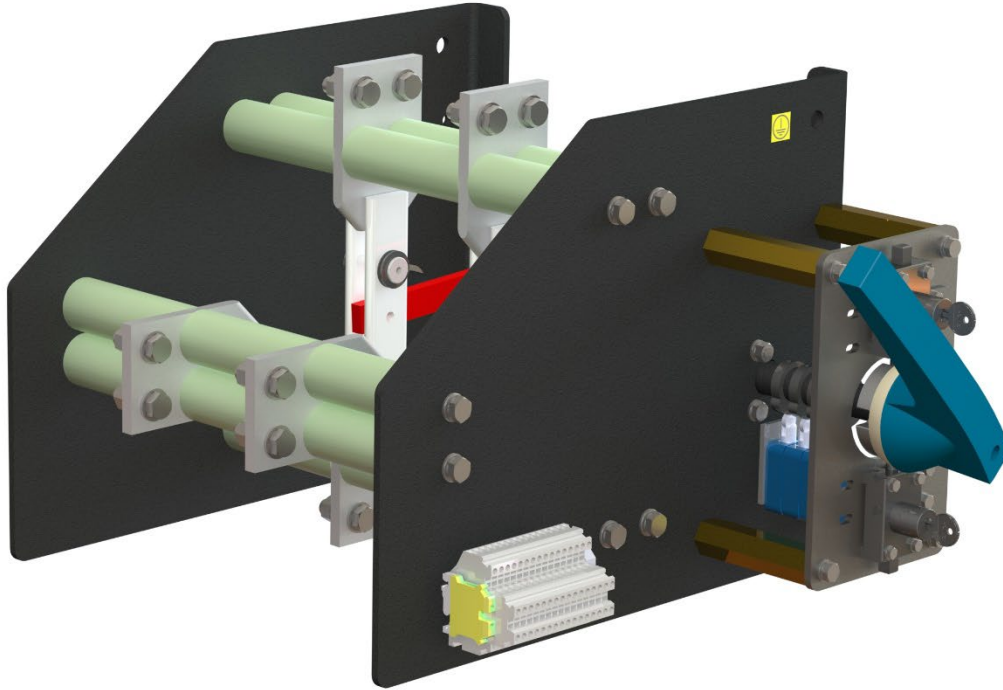
High Endurance > 50.000 C-O cycles

+ Motordrive type 'M' 3x400V

+ 7-position PLC control system

Application:

Disconnecter for MV-test equipment



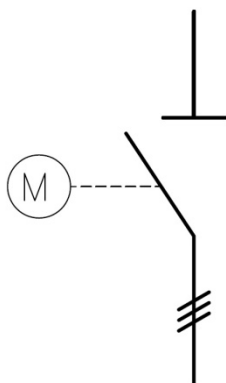
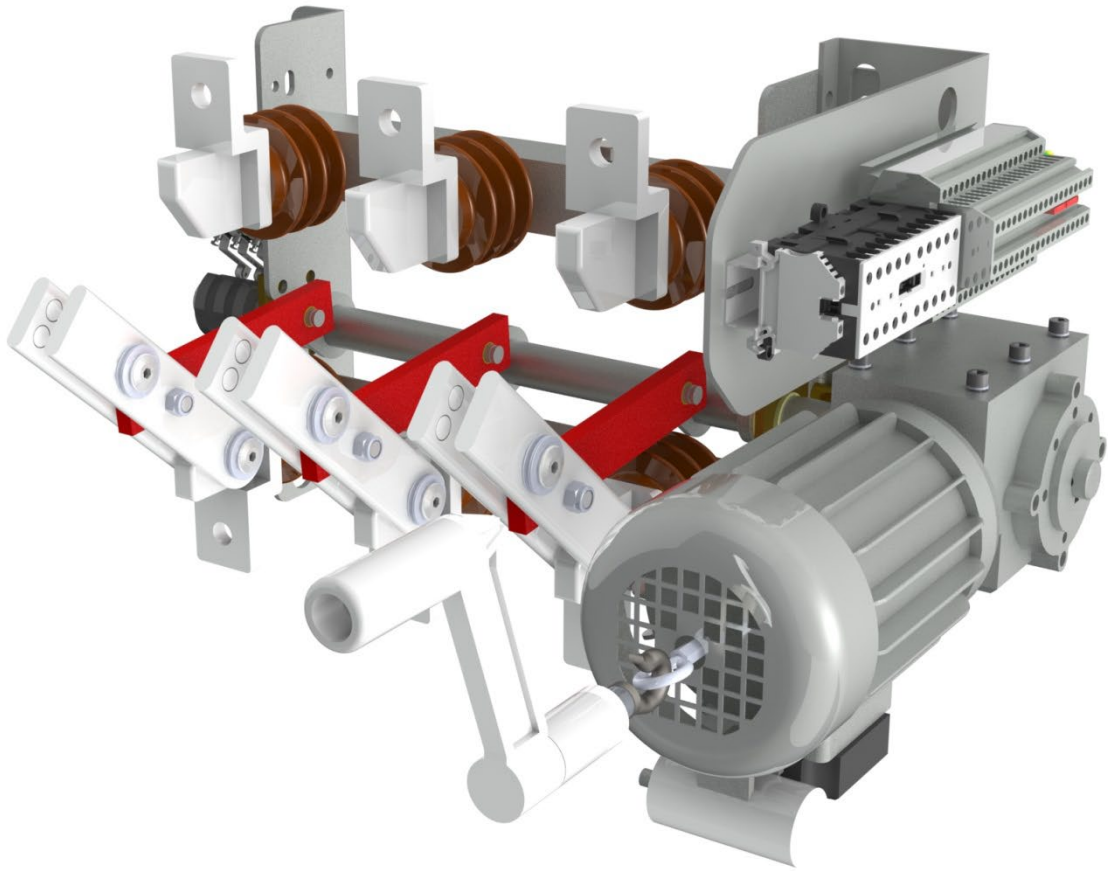
MVI-CI 7.2kV 1250A 2-Pole

2 positions: load 1 / load 2

- + Key interlock system
- + Compact & fix manual operating lever

Application:

Disconnecter for traction & railway test equipment



MI-COMP 3.6kV 400A 3-pole HE

High Endurance execution 250.000 C-O

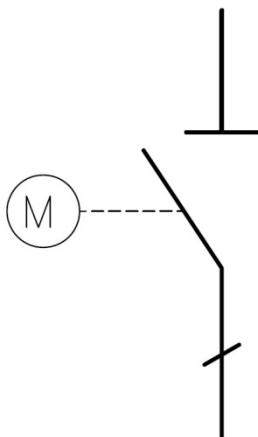
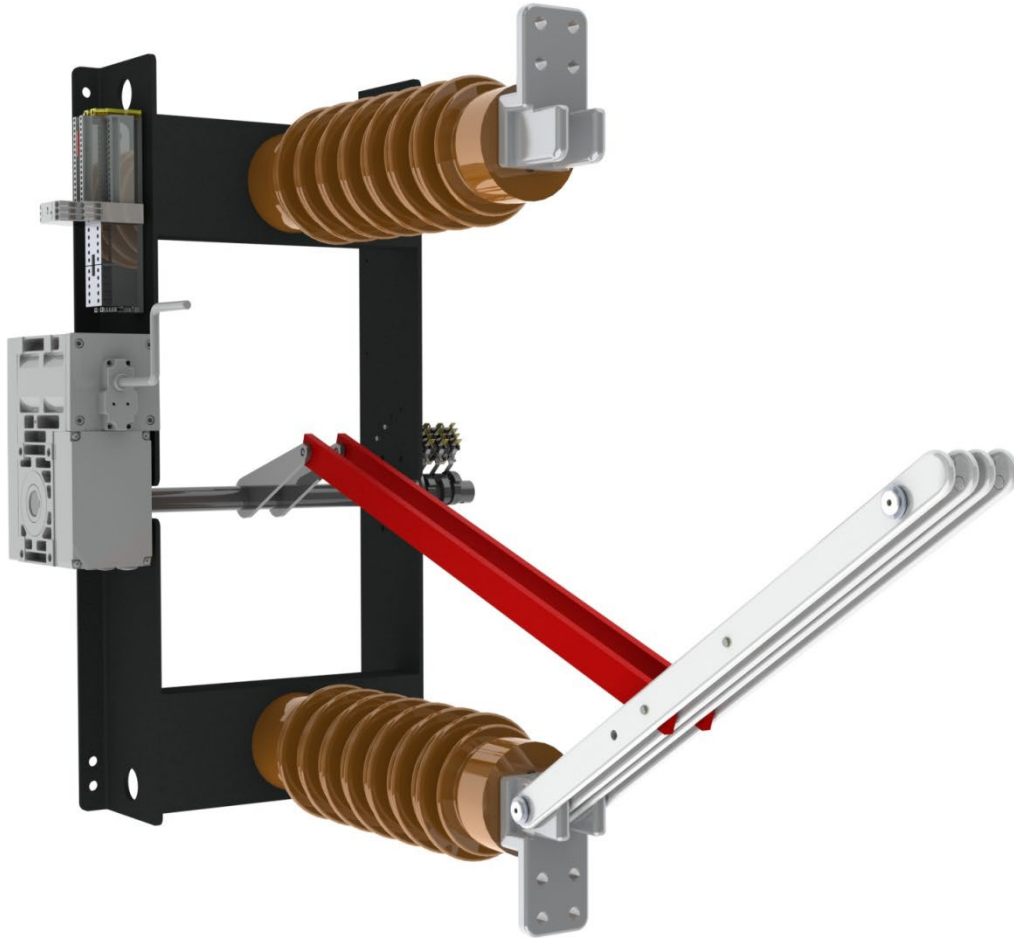
+ Motordrive type 'M' 1x230Vac

C-O switching <2s

Up to 40 C-O cycles/day

Application:

Disconnecter for MV-drives, operator security in steel production lines (visible isolation)



MI-COMP 72kV 2000A 1-pole HE

High Endurance execution min. 50.000 C-O

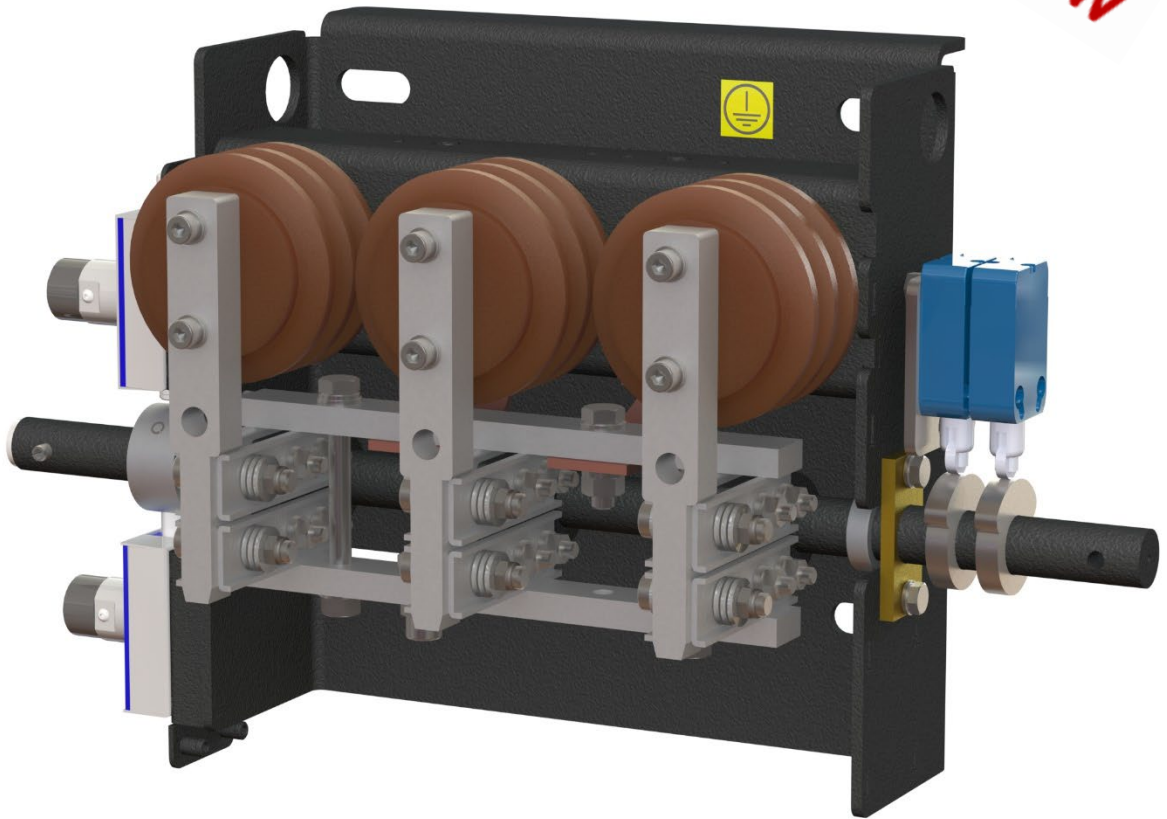
+ Motordrive type 'M' 3x400Vac

+ Auxiliary contacts 'gold' 2NO + 2NC

Application:

Disconnector for HV-test equipment

NEW



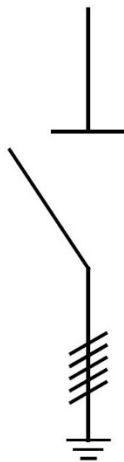
MTIC 3.6kV 25kA/1s 3-pole

Compact earth switch

- + Key interlocking system for security locks
- + Auxiliary contacts 2x(2NO+2NC) IP67

Application:

Earthing of MV-drive DC-bus



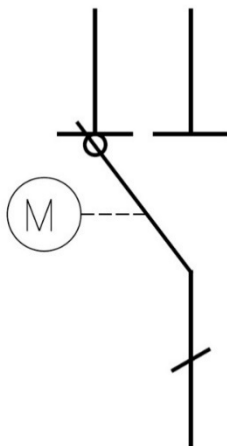
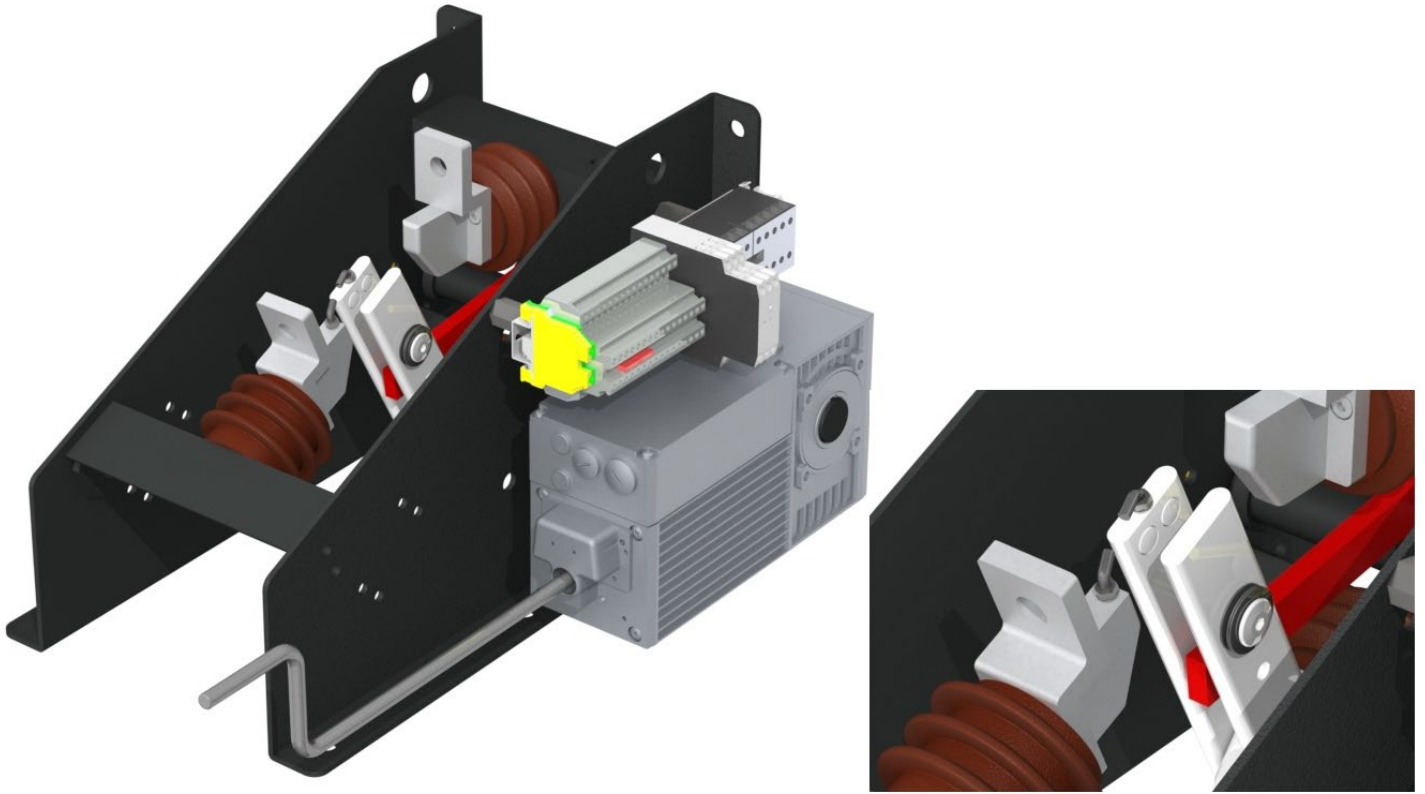
MTI 24kV 16kA/1s 5-pole

Adaptable phase distances and shaft lengths at request

- + Operating kit with interlocking ring for security locks (mounted by customer)
- + Auxiliary contacts 'light' 2x(2NO+2NC)

Application:

Earthing of MV-reactive power compensation capacitors



MI-COMP-CI 10kVdc 1000A 3-pole

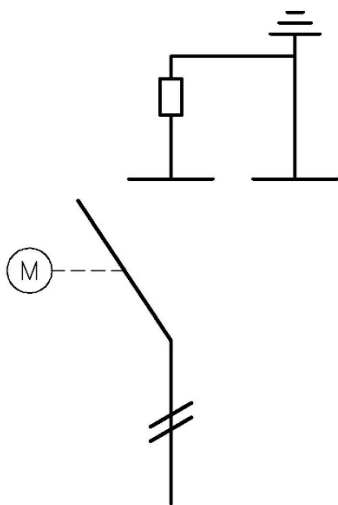
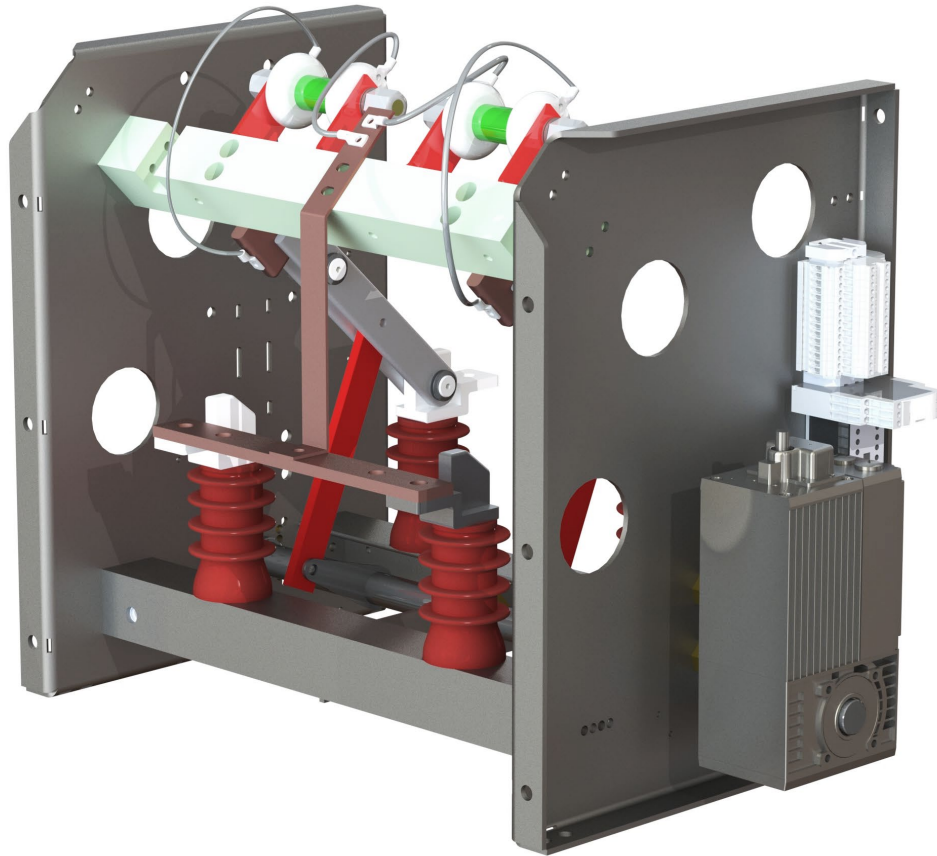
Very fast change-over isolator (C-O < 0.25s)

+ Motordrive type 'M' 3x400V

+ Special arcing antenna for making capacity

Application:

Discharging power capacitors in MV-test equipment



MI-COMP-CI3RY0Z 14kVdc 1000A 2-pole

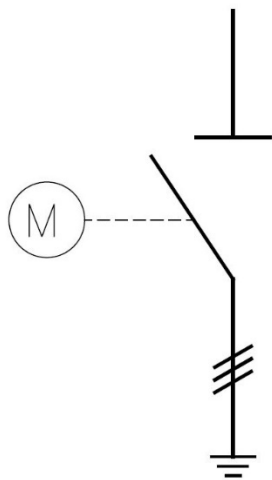
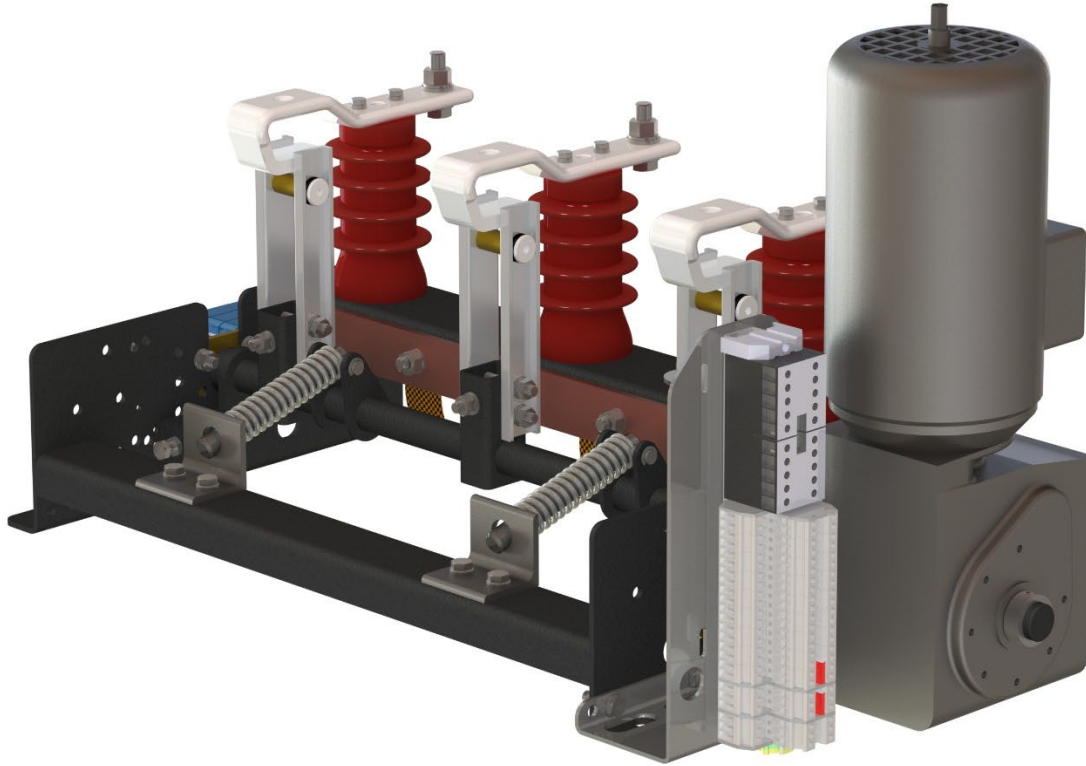
3 position discharge isolator : Open / Discharge / Earth

+ Motordrive type 'M' 3x400V

+ Built-on ceramic disc resistors in Y-position

Application:

Discharging power capacitors in MV-test equipment



MTI-QC 12kV 20kA/3s 3-pole

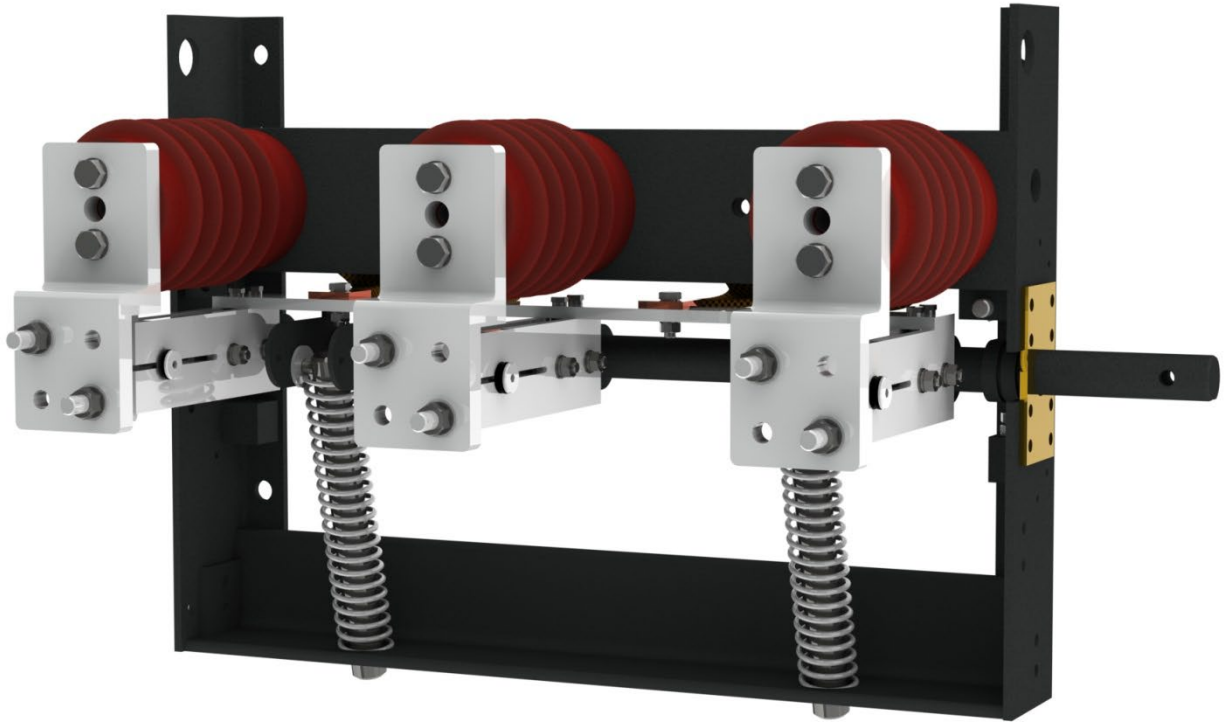
Earth switch with quick closing mechanism

+ Motordrive type 'M' 230Vac

+ Control 230Vac

Application:

Earth switch for railway power plant: 16 1/3 Hz



MTI-MC 17.5kV 63kA/3s 3-pole

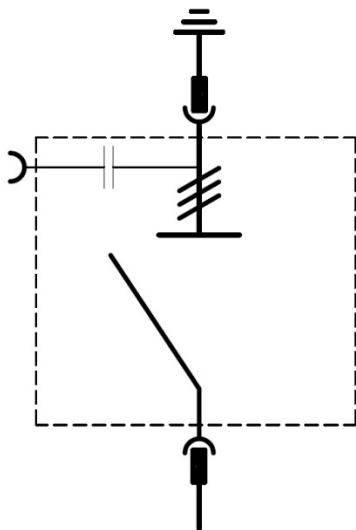
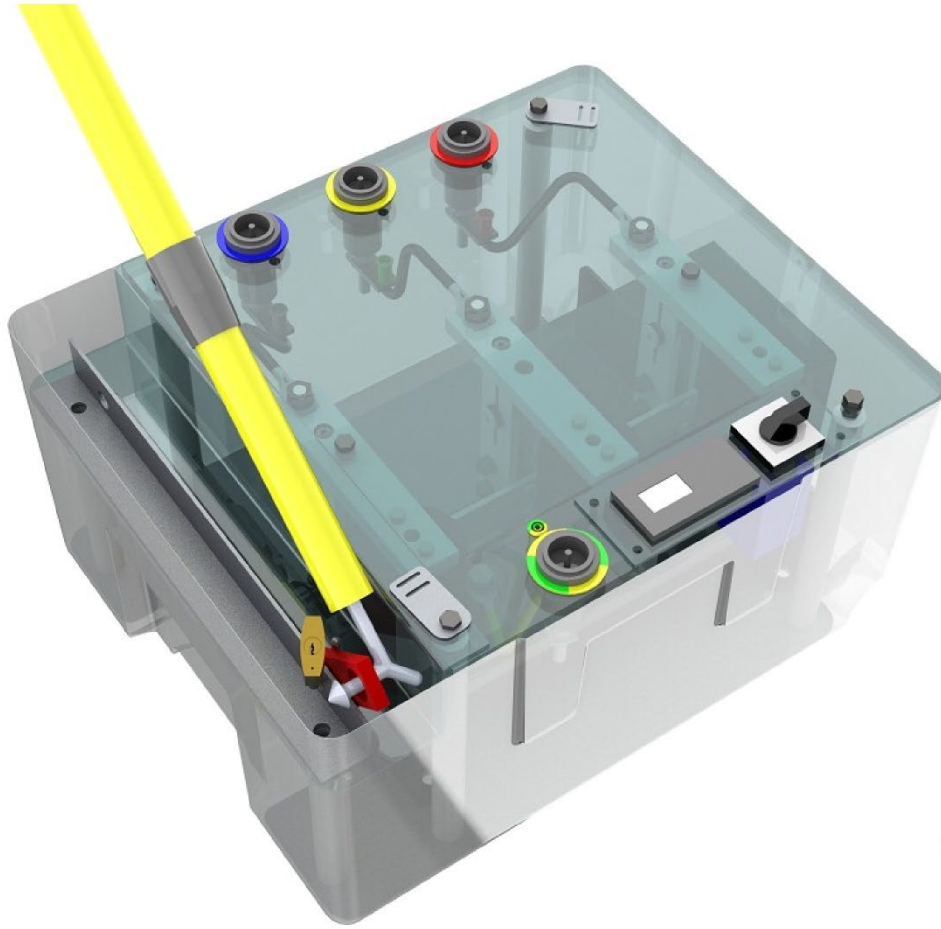
Earth switch with making capacity in air

$I_{ma} = 157\text{kA}$ peak at 15kV ; class E1

KEMA type tested

Application:

Power earth switch for MV-distribution cubicles (oil and gas)



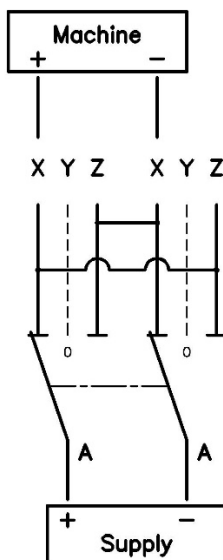
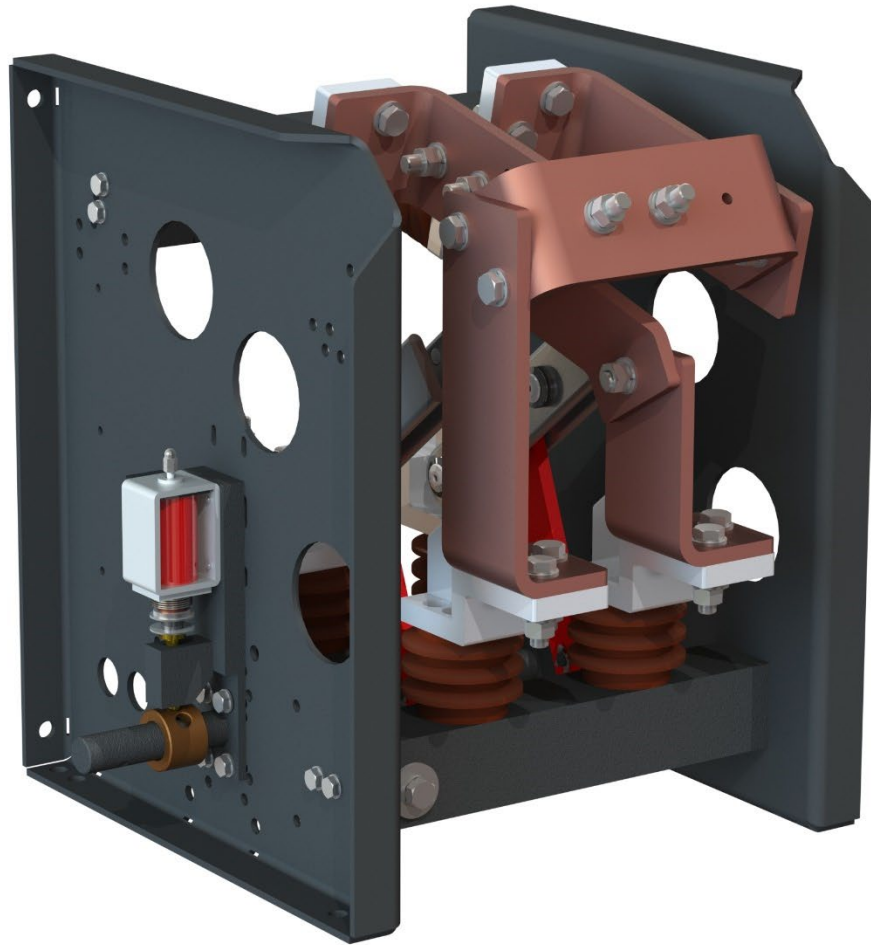
MTI 12kV 16kA/1s 3-pole

Earth switch built into a mobile case

- + Voltage detection from 0,5kV to 20kV
- + Plug-in connectors for MV-cables

Application:

Operator security ; safe earthing of shielded HV-cables up to 150kV

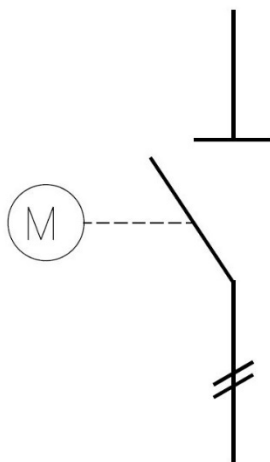
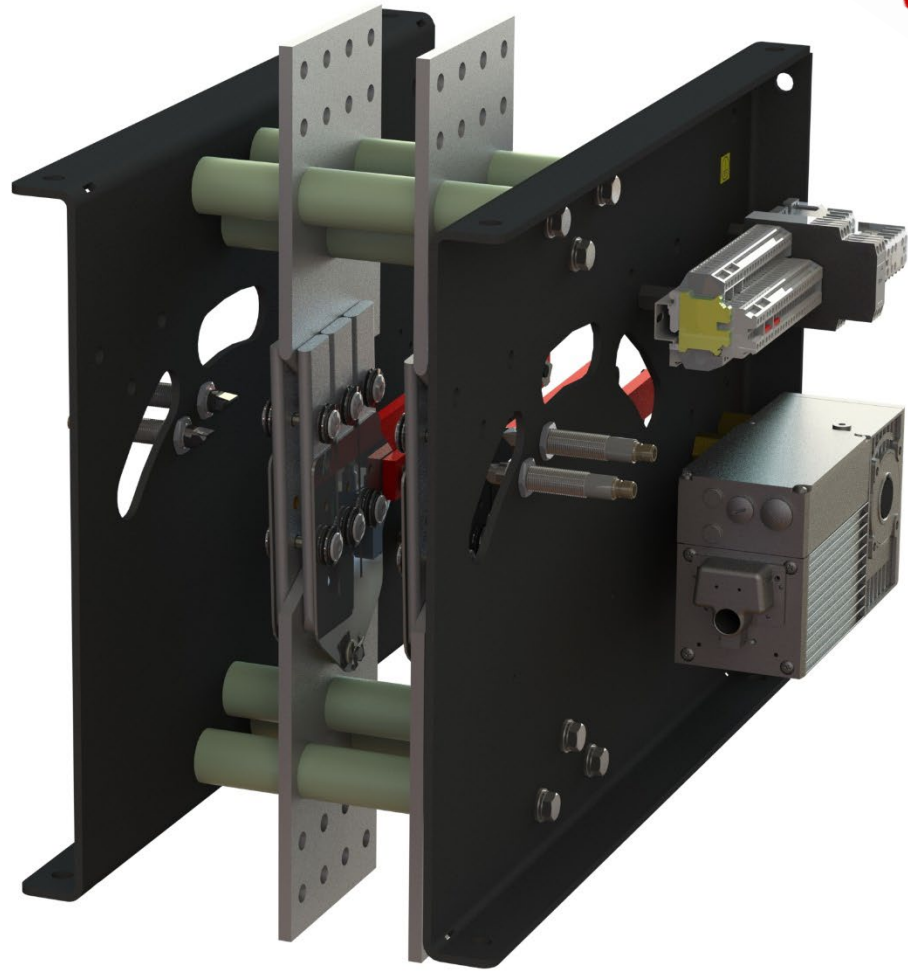


MI-COMP-CI30Y-POL 3.6kV 1600A 2-Pole
3-position DC-pole inversion disconnector

- + Neutral Y-position with anti-self-closing device
- + Electro-Magnetic interlocking device in each position

Application:
Disconnector for DC-pole inversion

NEW

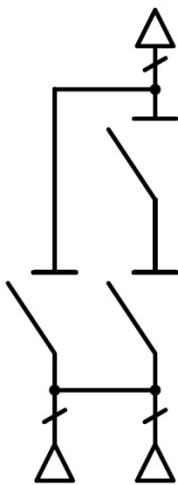


MVI 0,9kVdc 4000A 2-pole

DC disconnecter with position indication sensors

- + Motordrive type 'M' 3x400Vac
- + Control 24Vdc
- + Built-in sensors for Safety Level SIL 3 / Performance Level Pl e

Application:
Disconnecter for MV-furnace



3x MDI 0.7kVdc 1500A 1-pole
Built into an outdoor cubicle (IC MDI3)

For manual (hand) operation

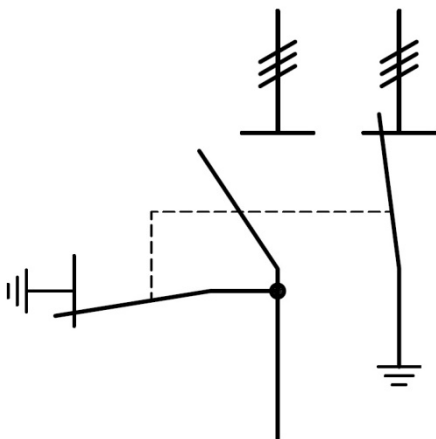
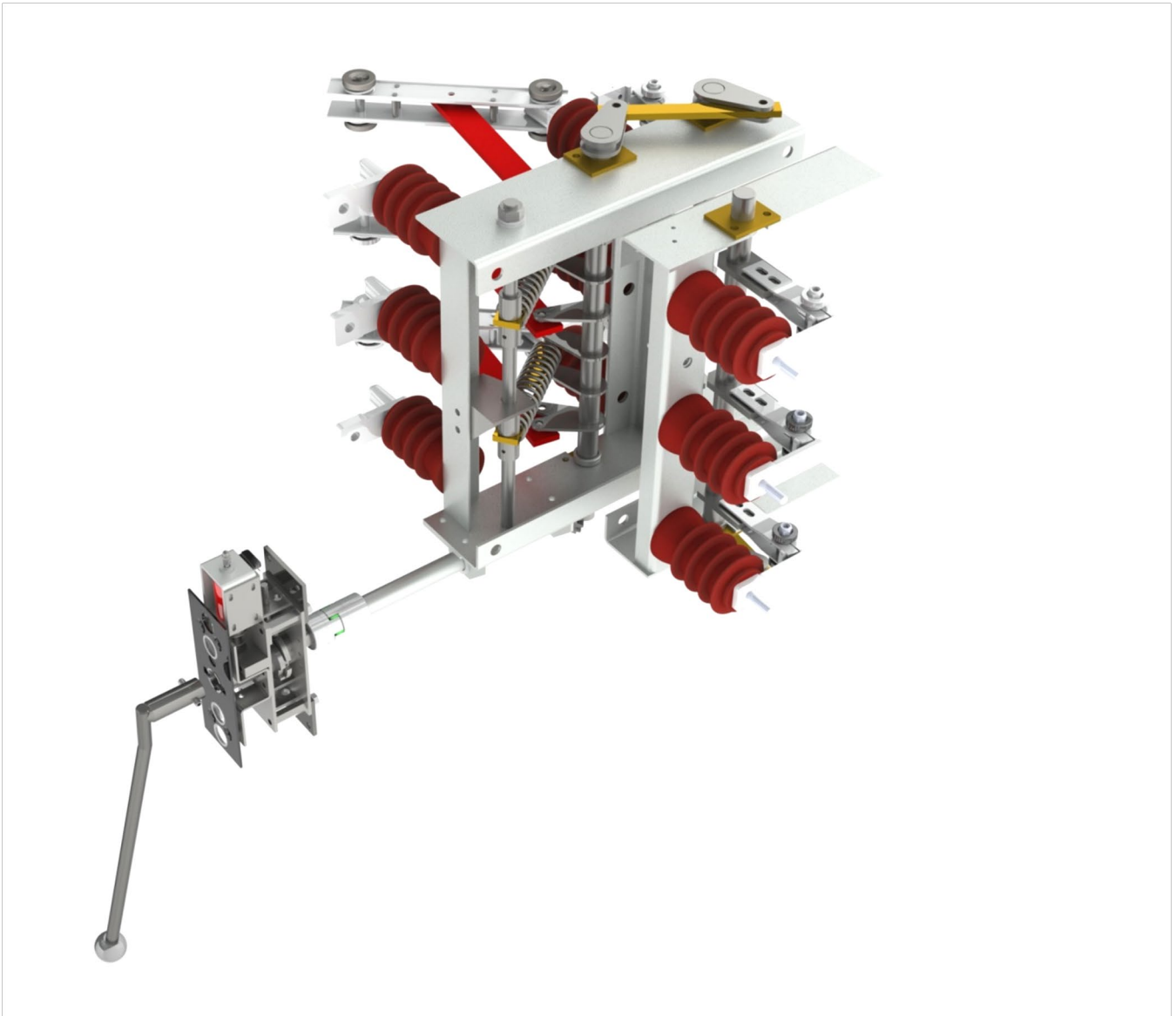
Application:
Disconnecter for tramway



MDI 0.7kVdc 2000A 1-pole
Built into an outdoor cubicle (IC MDI)

For manual hookstick operation

Application:
Disconnector for tramway



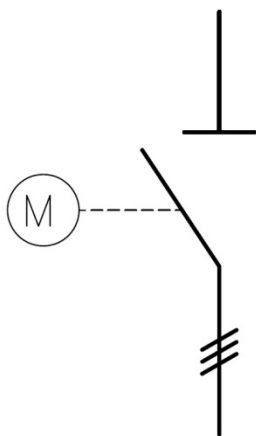
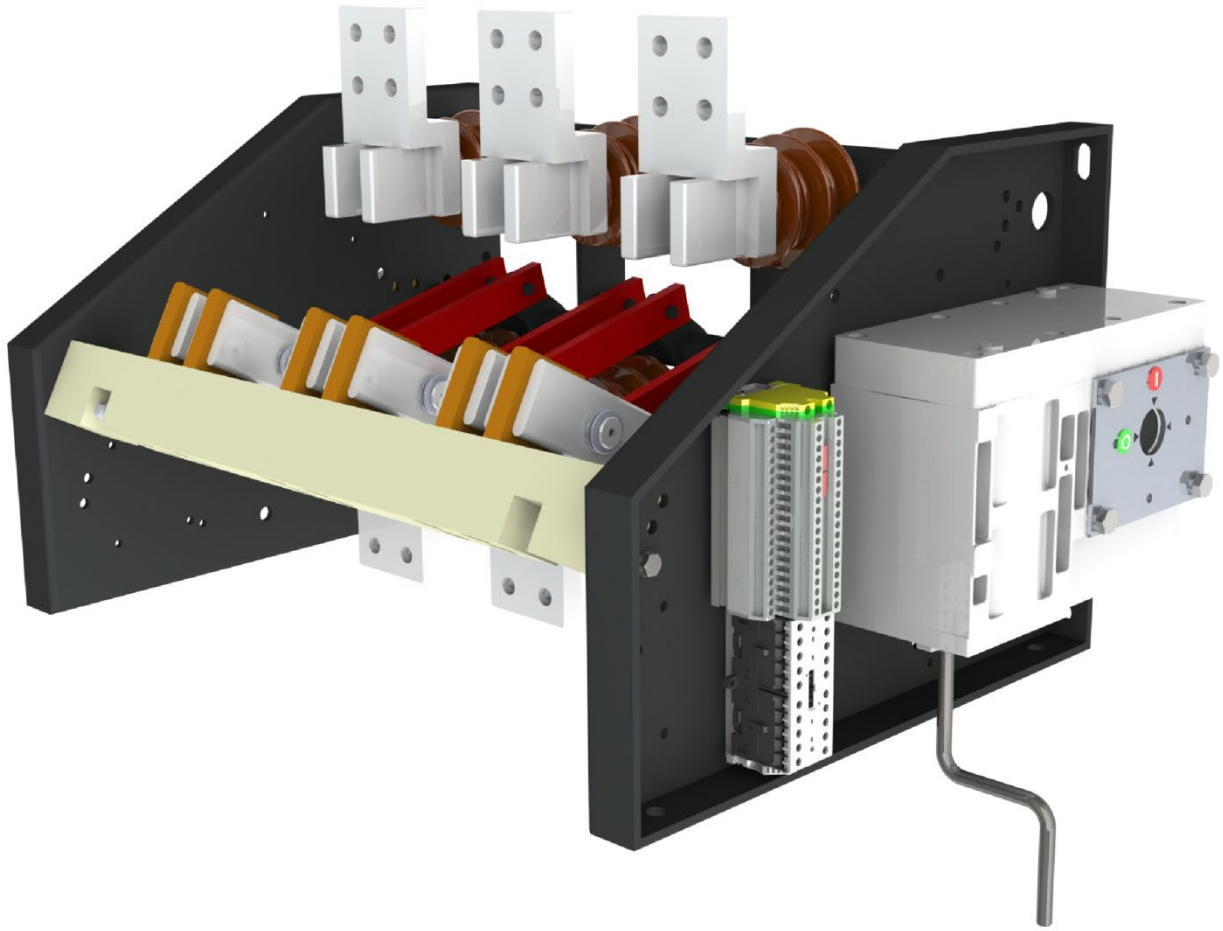
MIT 7.2-12kV 630A 3-pole 31.5kA/1s

Combination of 1 disconnecter and 2 earth switches
With 1 central manual operating mechanism

- + Quick closing mechanism for both disconnectors
- + Door interlock
- + EM-interlocking device

Application:

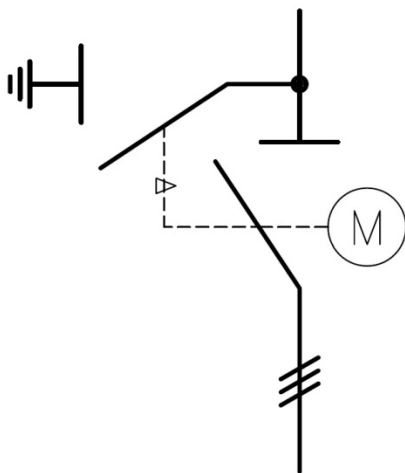
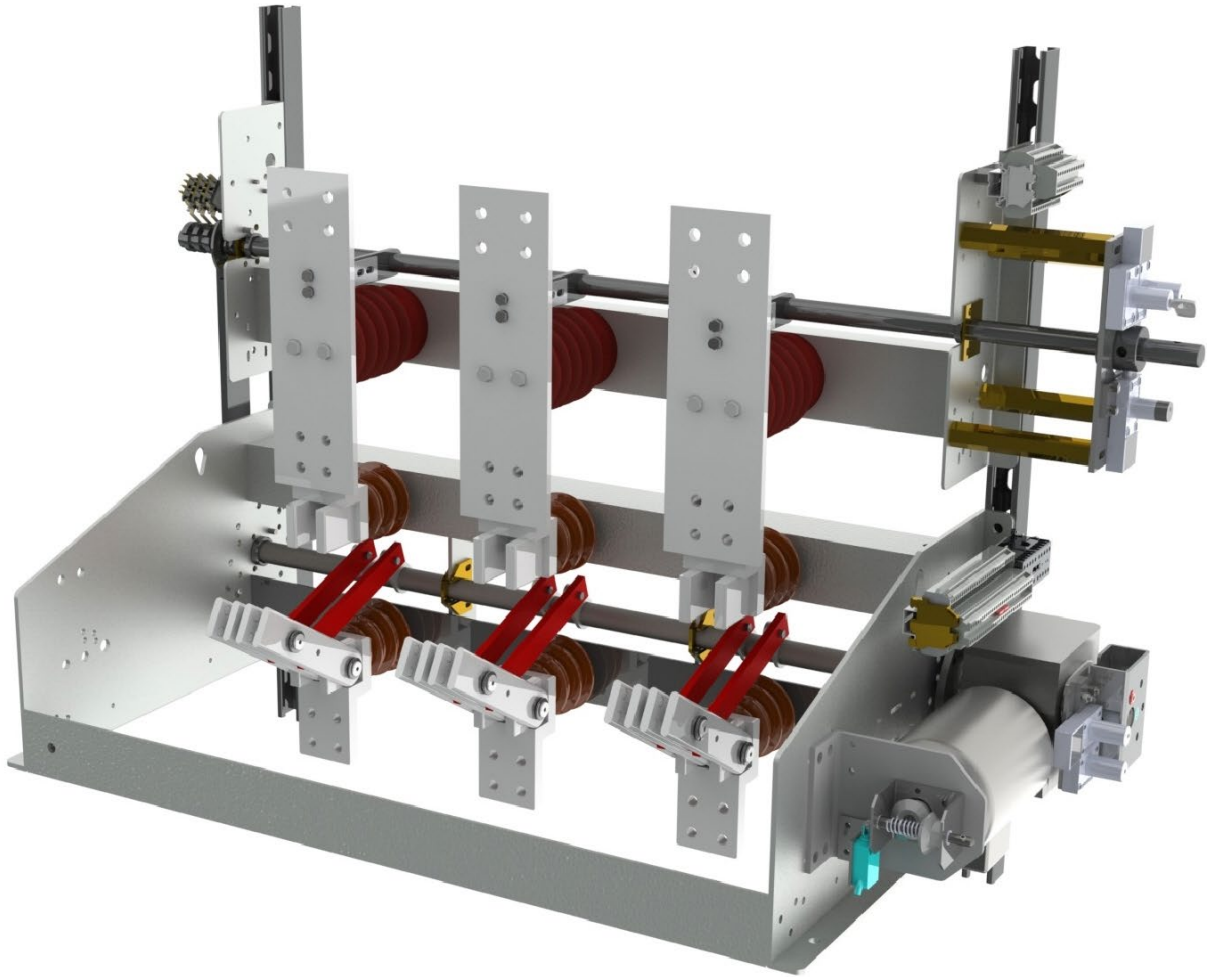
Input isolator for MV-drives



MI-COMP-CII 5kV 2500A 3-pole
Vibration proof with small breaking capacity

+ Motordrive type 'M' 3x400V
change-over-time < 2.5s

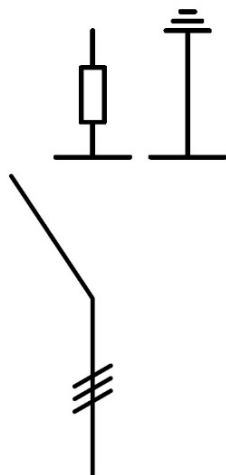
Application:
Disconnecter for MV-drives in cruise ship



MI-COMP-TI 7.2kV 2500A 75kA/1s 3-pole 200kA peak
With mechanical interlocked manual earth switch

- + Motordrive type 'M' 220Vdc
- + Frontal emergency operating mechanism
- + Several key interlocking systems

Application:
MV-cubicles in power generation plants



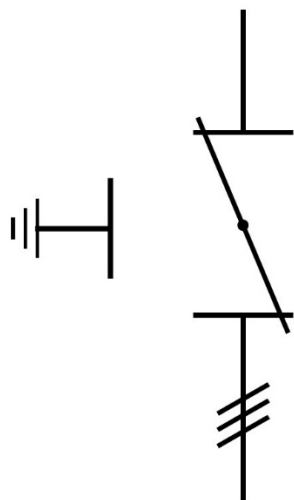
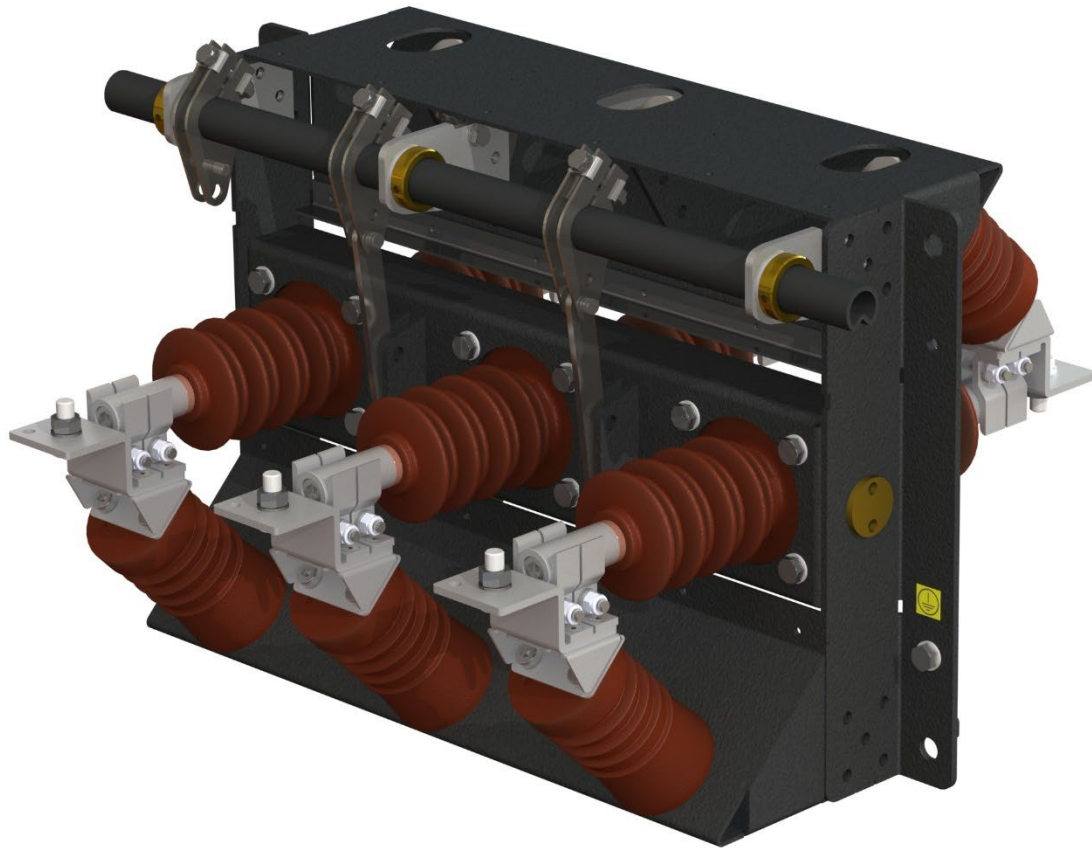
MSI-CI30XRYPZ 12kVdc 630A 3-pole

Vertical disconnecter with frontal operating system and 3 positions:

- X = open position
- Y = discharge trough resistor bypass
- Z = quick earthing

Application:

Disconnecter for discharging capacitors of MV-drive

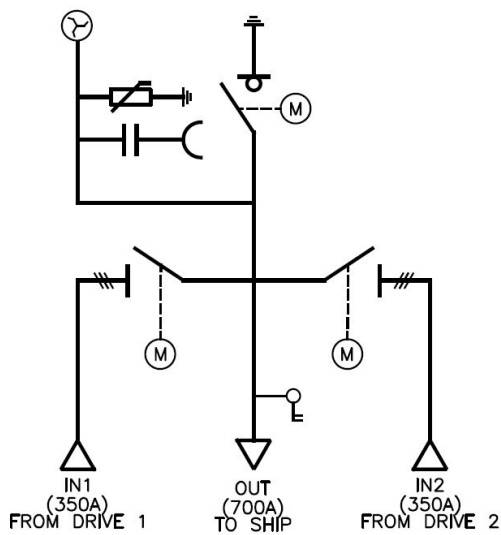
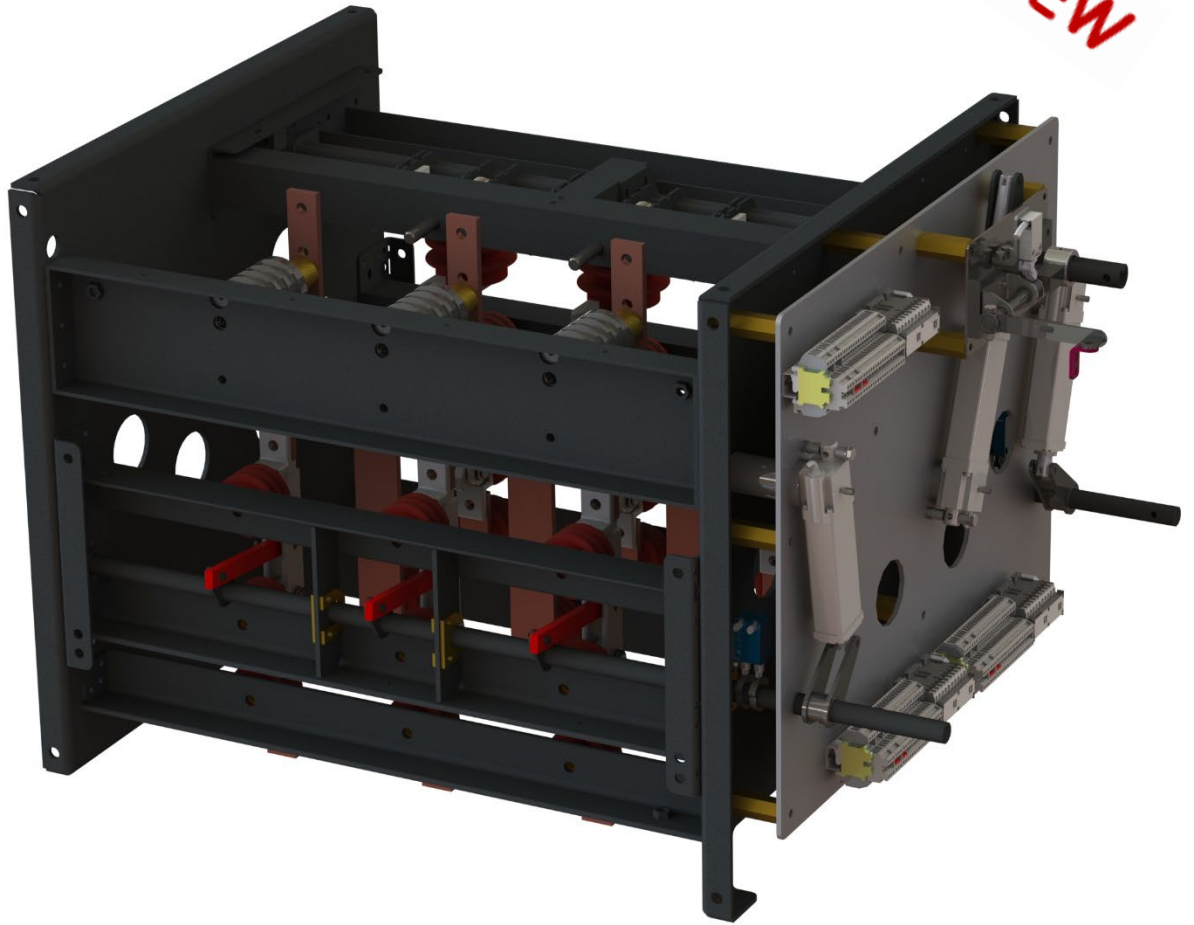


DVI 12kV 1250A 3-pole
Center rotating disconnect

+ Earthing & locking device in open position

Application:
Retrofit disconnecter for MV-grid, replaces 4 old types

NEW



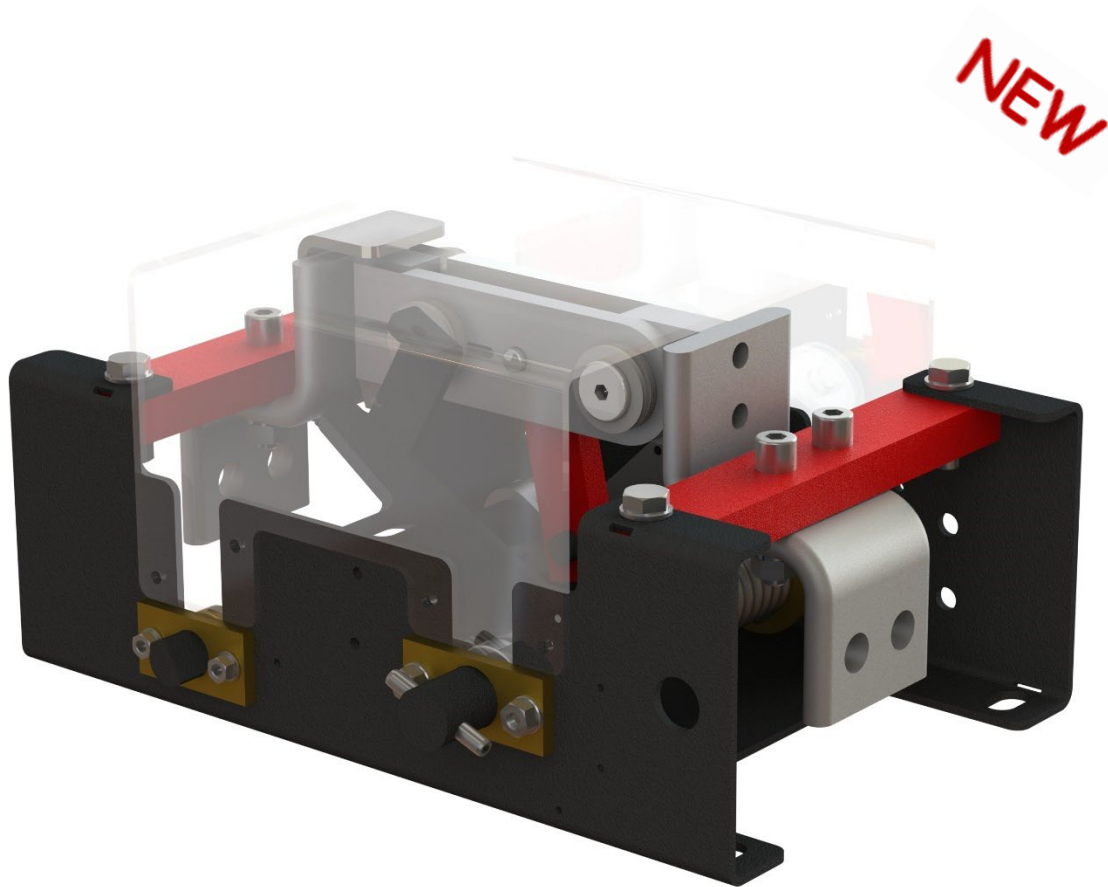
IA Isolator Assembly 6.6kV 700A 3-pole

Assembly containing 2 isolators type MI-COMP and 1 earth switch with making capacity type MTI-MC;

- + Motor drives type 'L' 24Vdc
- + Custom built padlock interlock system

Application:

Disconnecter for Shore Power solutions



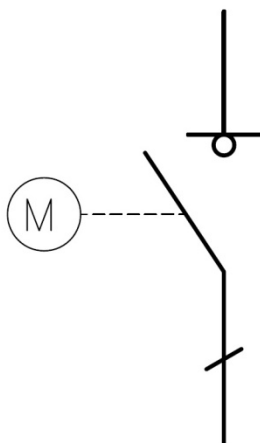
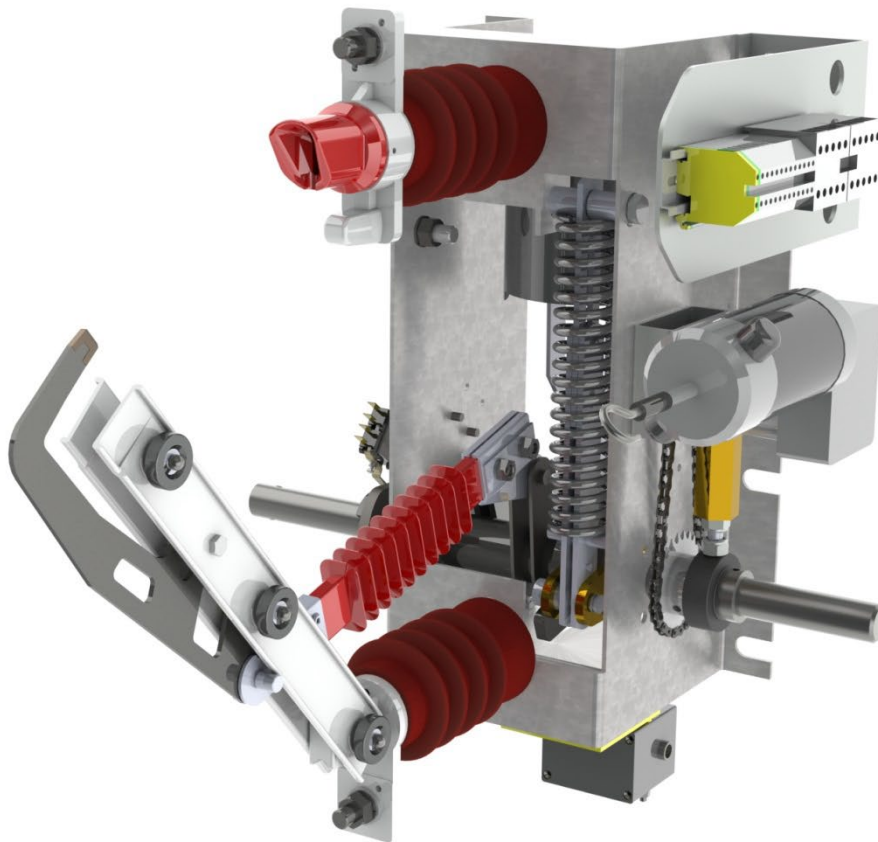
BP-MC 3kV 1600A 1-pole

1-pole manual disconnector with quick closing with bypass time $\pm 30\text{ms}$

+ EM trip coil 24Vdc

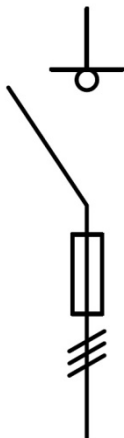
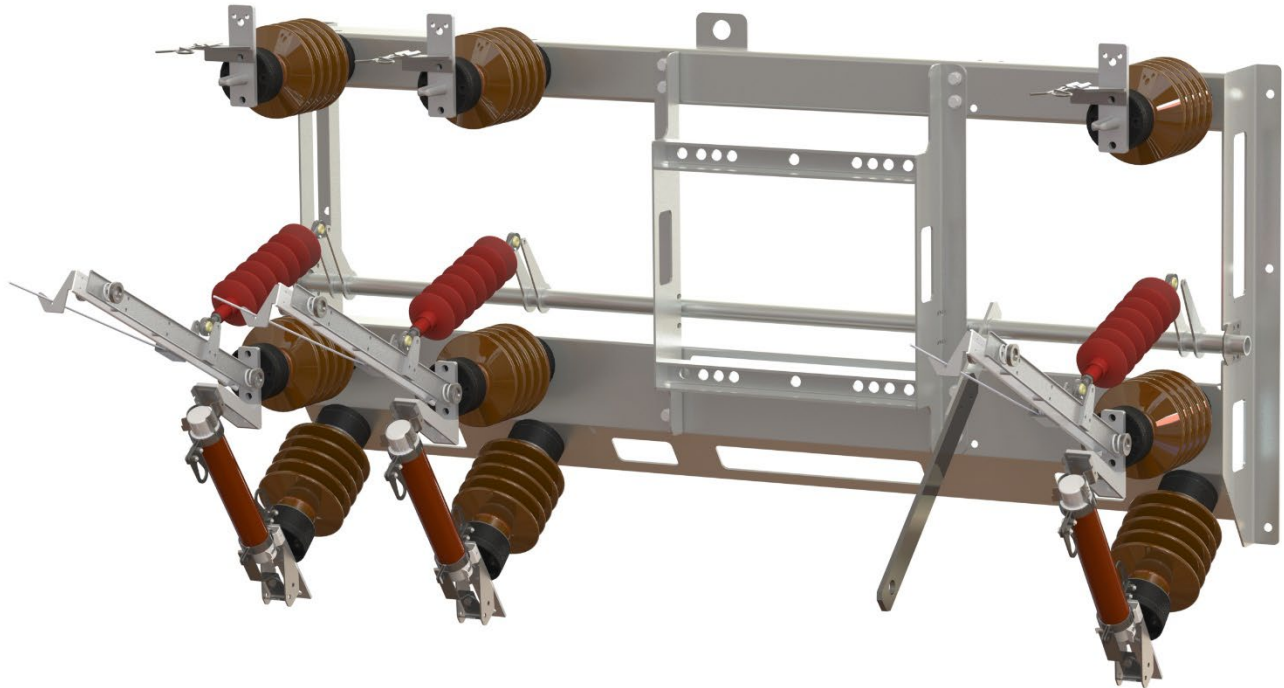
Application:

Bypass disconnector for MV-drives



GP1-C1 12kV 630A
1-pole on-load disconnect
+ Motordrive type 'D' 24Vdc

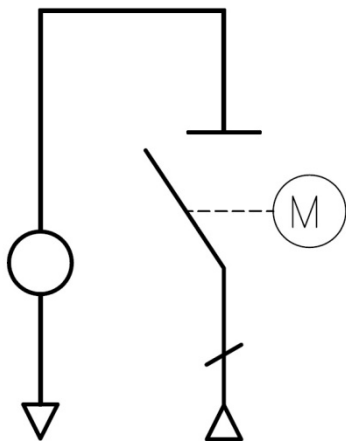
Application:
MV-resistor bank



SPV 17.5kV 630A 3-pole
Outdoor on-load fuse disconnecter

+ Pole fixation

Application:
MV-distribution grid, outdoor



IC-cubicle 17.5kV 630A 1-pole

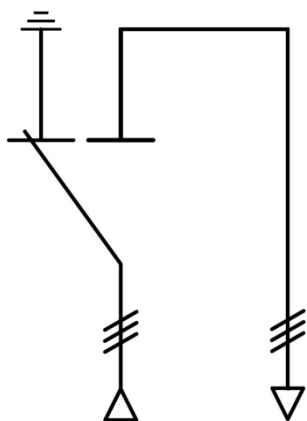
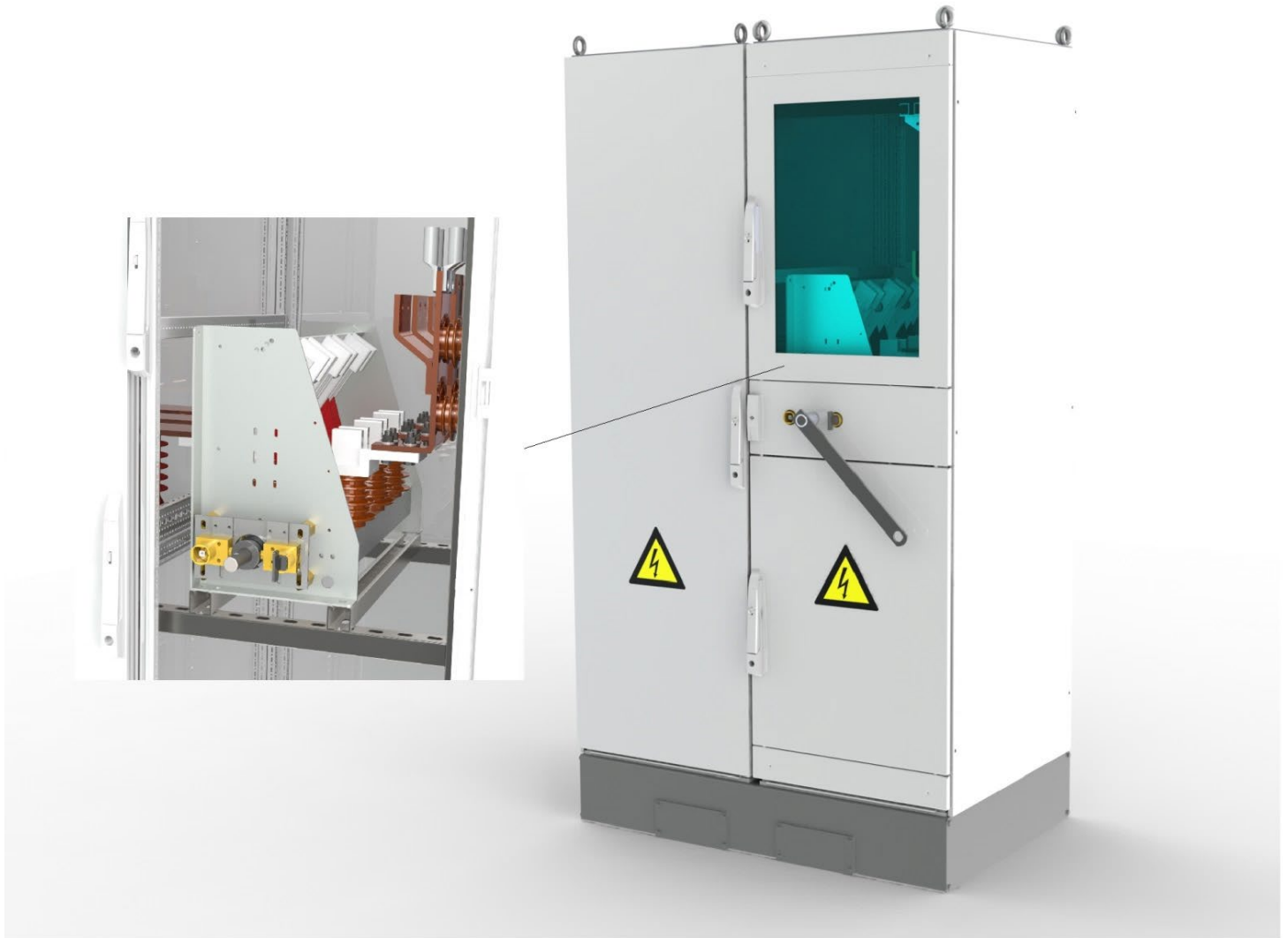
Outdoor polyester cubicle with anti-condensation system

+ MI-UI with motordrive type 'H' 230Vac

+ CT

Application:

Cubicle for HV-grid operator; connecting neutral point of power transformer to earth



IC-cubicle 2.5kVdc 1700A 3-pole

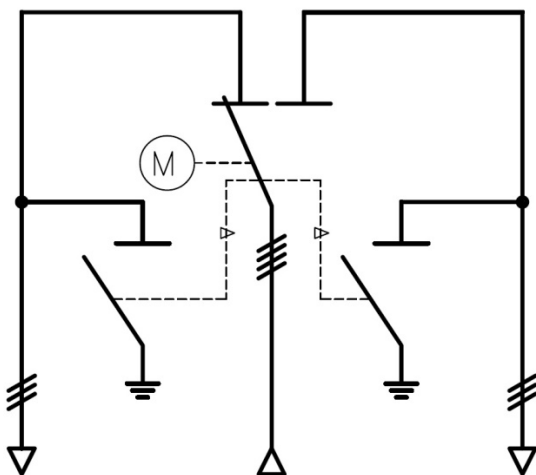
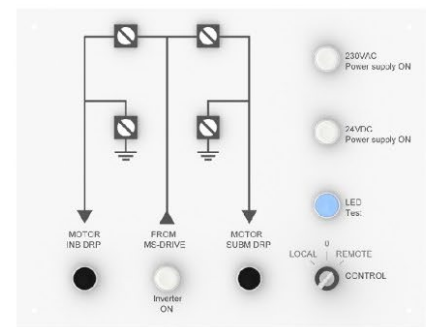
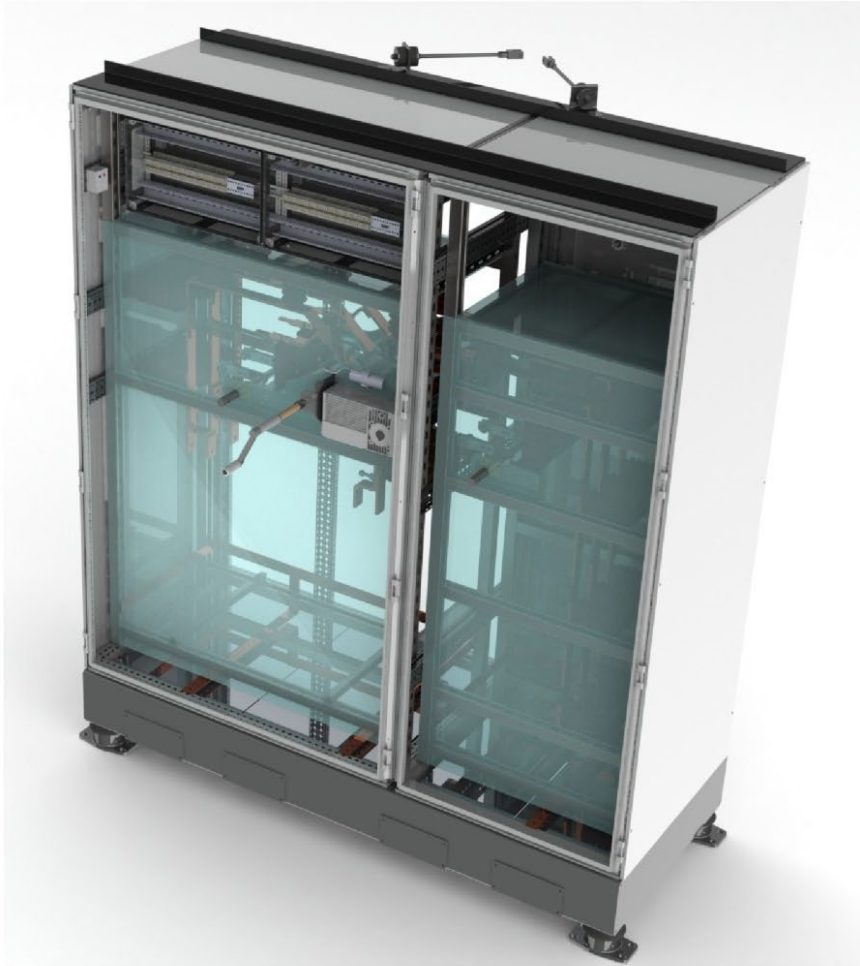
With inspection window for visible earthing

+ MI-COMP-CIP 5kV 2000A Manual

+ Interlocking with keylock

Application:

Cubicle for operator security of MV-furnace

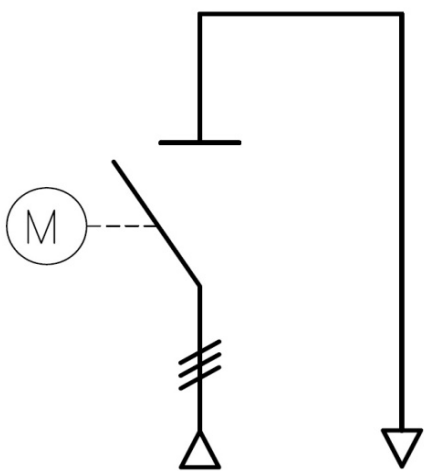


IC-cubicle 3.6kV 675A 16kA/1s 3-pole

Switch-over marine indoor cubicle (1IN + 2OUT) with stabilizers and dampers

- + MI-COMP-CI 3.6kV 1000A with motordrive 'M'
- + 2x MTI 3.6kV 16kA/1s
- + Manual & electrical interlocking between disconnectors

Application:
Cubicle for dredging ship

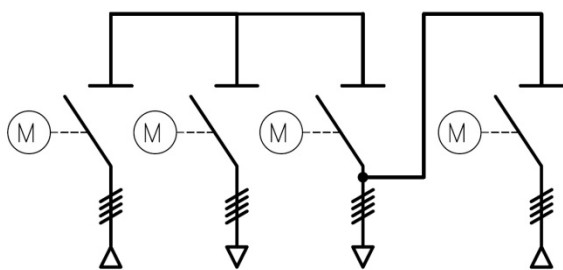
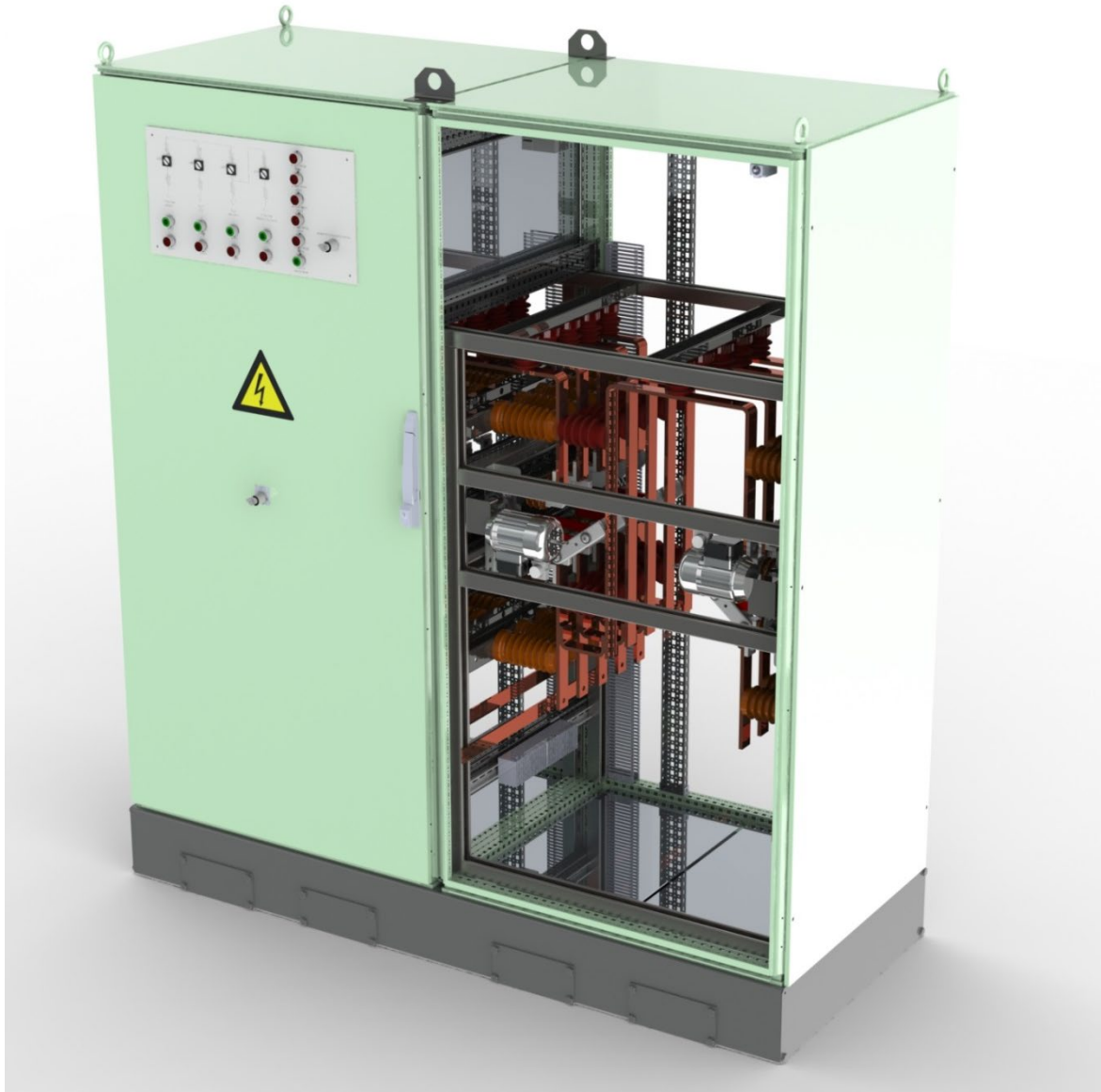
**IC-cubicle 3.6kV 700A 3-pole**

With visible isolation

+ MI-COMP 3.6kV 700A HE with motordrive 'M' 230Vac

Application:

Visible isolation for operator security of a high power MV-drive in steel industry



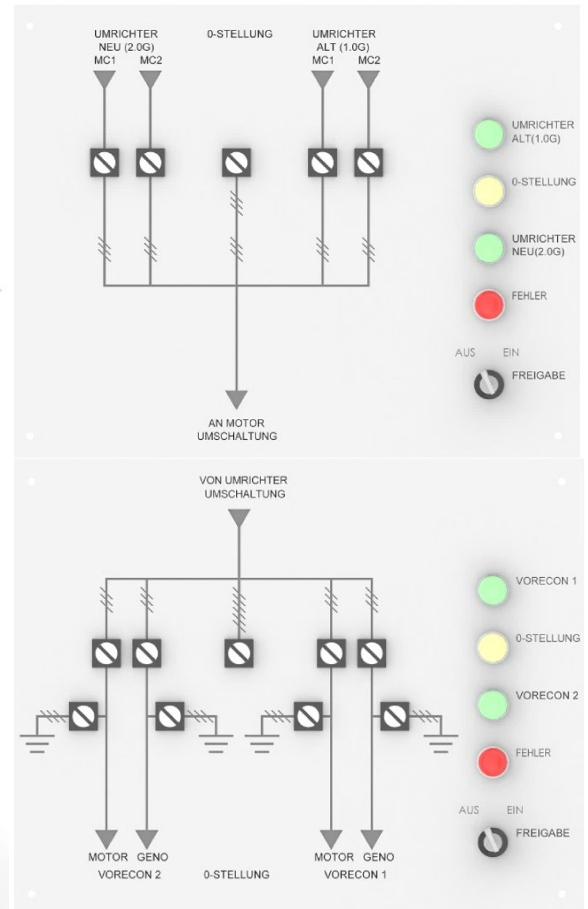
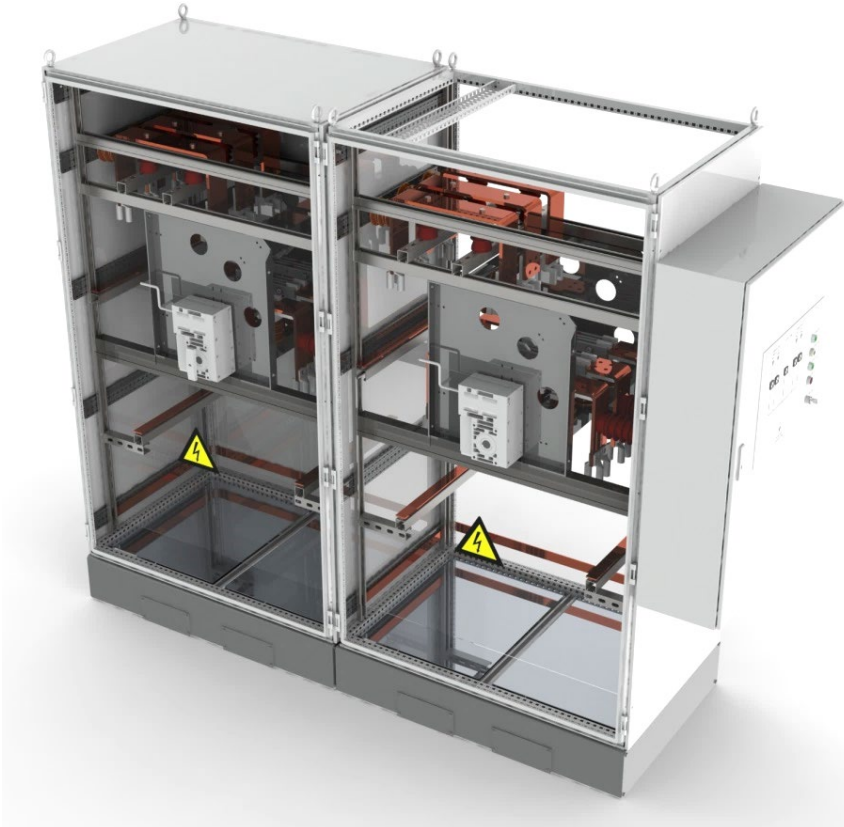
IC-cubicle 3.6kV 700A 5-pole

With integrated operation control box
(2IN + 2OUT)

+ 4x MI-COMP 3.6kV 1000A with motordrive
type 'D' 230Vac

Application:

Selection cubicle for power generation;
Multiple drives for multiple loads



Set of 2 IC-cubicles 3.6kV 2000A 2x3-pole

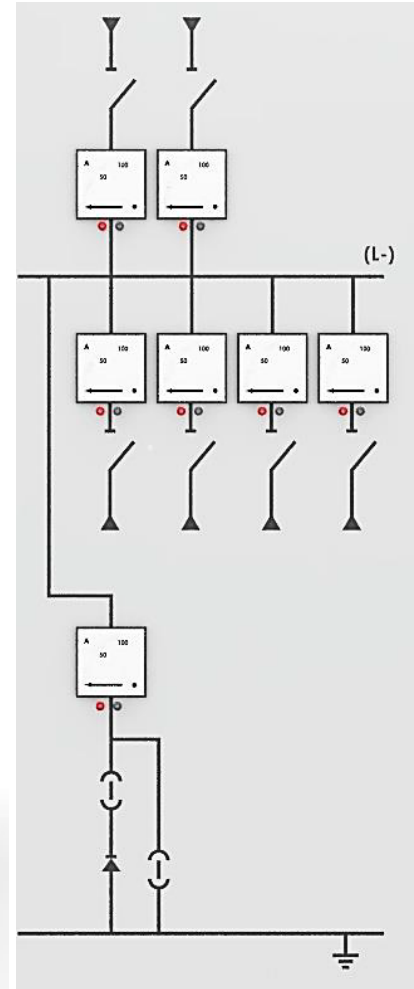
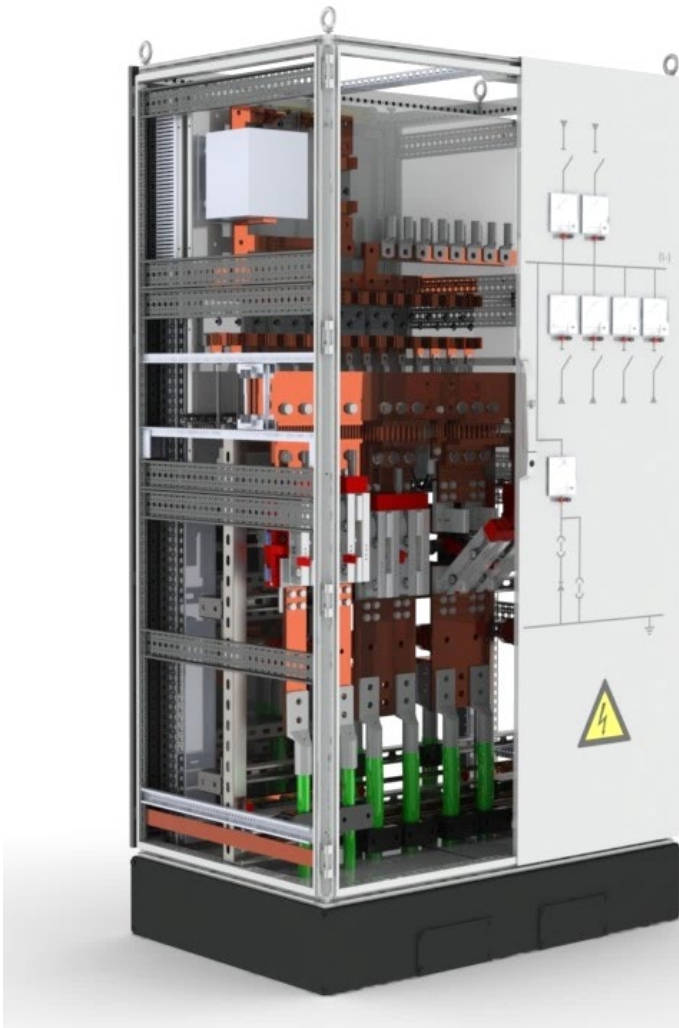
With separate operation control box and integrated PLC

+ 4x MI-COMP-CI3 2000A 3-pole with motordrive type 'M' 3x400V 50Hz

+ 4x MTI 3.6kV 16kA/1s 3-pole HE (10.000 C-O)

Application:

Selection cubicle for MV-test bench



IC-cubicle 0.9kVdc 4000A 1-pole

With analogue measuring system

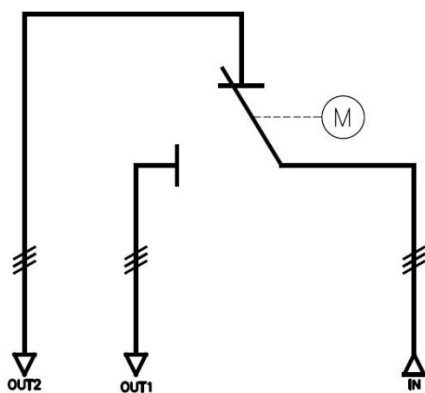
+ 4x MDI 0.9kVdc 2000A 1-pole with auxiliary contacts

+ 2x MDI 0.9kVdc 4000A 1-pole with electromagnetic interlock device

Application:

Cubicle for return of all negative currents of tramway lines to main power supply

NEW



IC-cubicle 2kVac 7000A 3-pole

High current MV-cubicle

- + 2-position disconnector MVI-CI 2kV 7000A
- + complete integrated control system
- + forced air cooling system

Application:

Cubicle for MV-test bench for windmill applications

EME's mission is to work together with the customer to develop tailor-made, high-tech, in-house delivered solutions in the industrial electrical sector, with an emphasis on quality.

Having the confidence to challenge the customer personally, will enable our project team to deliver even better and smarter solutions worldwide. EME seeks to consolidate its multidisciplinary experience as a result of cooperating with strategically chosen key partners.

EME guarantees a professional, open and transparent process, operating according to a balanced give-and-take approach. This policy helps to protect our long-term relationship with staff, partners and the environment. As a family-run SME, EME is making a contribution to sustainable local wealth creation.

EME, powerful in power current

EME, in full Electro Mechanic Equipment nv is a family-owned company situated in Glabbeek (Belgium). Founded in 1961 by René Vandereycken, this SME was always active in the world of electrical energy distribution.

Our scope:

Building of custom-made Medium Voltage disconnectors and cubicles . At this end we have an autonomous production department with an own design and engineering division. Each year this ISO 9001 certified business unit produces more than 1500 custom made disconnectors involving more than 120 different models mainly intended for OEM applications worldwide. In addition, our team is able to construct medium voltage panels, with our own disconnectors integrated, at request.

Building of multi-disciplinary Low Voltage solutions for industrial decentralized energy production systems. Our engineers provide the most suitable solutions to create the missing link between a high-power decentralized energy production system and the Belgian public distribution grid. Ranging from complete high-power LV-panels including pre-programmed mains decoupling & power limitation protection relays to control components from our renowned European partners, such as measuring transducers, voltage & current transformers, protection & measuring relays. Considering our year-long know-how in this domain we are able to provide one-stop-shop solutions for projects with high complexity and high engineering degree.

With over 30 specialist people and an optimal mix of knowledge and manpower, EME offers a high level of service quality and is ready to take care of your power current problems!

EME - Electro Mechanic Equipment nv

Zuurbemde 51 - BE 3380 Glabbeek - BELGIUM
T: +32 (0)16 77 23 00

www.eme.be - thv@eme.be
EORI: BE0415 742 790



Join us on
LinkedIn